

LED Surface Light for
Transit Lighting



Transit T210

LED Surface Light for Transit Lighting

PRODUCT HIGHLIGHTS

- 4.5 Watts
- 9-30V DC Input
- 0 to 100% Dimming
- Active Thermal Management
- 2.75" Diameter
- Aluminum Construction
- Exterior Rated

TYPICAL APPLICATIONS

- Transit / Rail
- Industrial Equipment
- Marine

SPECIFICATIONS

SUITABLE ENVIRONMENTS



LED COLORS

- Cool White
- Neutral White
- Warm White
- Green
- Blue
- Red

BEZEL FINISHES



BEZEL SHAPES



BEAM ANGLES



CERTIFICATIONS



Features

RUGGED DESIGN

Machined and anodized aluminum construction, sealed design, polycarbonate lens, and electronic regulation to the LED source ensure product longevity.

0 TO 100% DIGITAL DIMMING

Connection with i2Systems LightLink Series or 3rd party controllers allows simple and seamless system integration.

ADVANCED OPTICAL SYSTEM

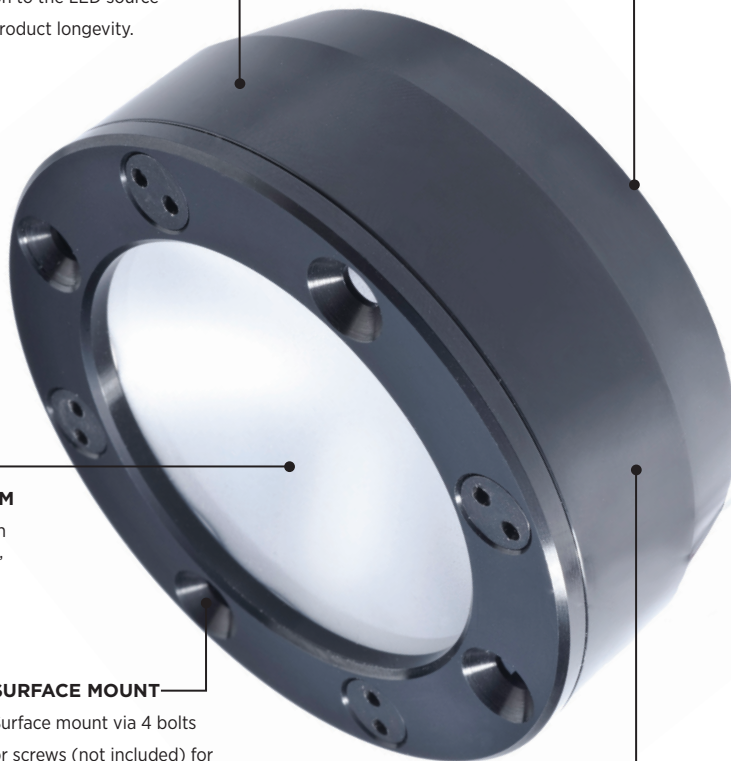
120° full angle. Even light, no LED "dots" or pixilation.

SURFACE MOUNT

Surface mount via 4 bolts or screws (not included) for simple installation.

SMARTDRIVER™ INTEGRATED

The T210 operates at 100% intensity from 9-30V DC, meaning voltage drop and DC battery systems are not a problem.



*Refer to Specifications table on page 2 for additional information.

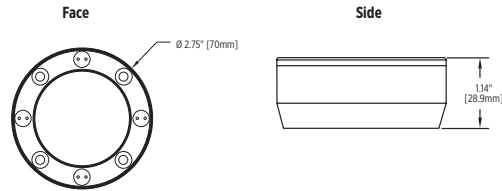
SPECIFICATIONS

ITEM	PARAMETER	VALUE
Electrical	Input Power	4.5 Watts*
	Input Voltage Range	9-30V DC
	Integrated Driver	✓
	0-100% Dimming	✓
	Protection Features	Active Thermal Management, Protected Dim Line, Transient Protection, Reverse Polarity, Autoreset Fuse
Optical	Emitting Angle	120° Full Angle
	LED Color	Cool White, Neutral White, Warm White, Green, Blue, Red
	LED Colors per Fixture	1
	Class	Class 2 LED Product
Physical	Dimensions	Refer to drawings on right
	Housing Construction	Aluminum
	Lens Material	Polycarbonate
	Bezel Shapes	Round
	Finishes	Black Anodized
	Mounting Method	Screw Mount
	Operating Temp. Range	-40 to +50°C
	Humidity	0 to 95%, non-condensing
	Environment	Dry, Damp, Wet** (IP67)
	Certification	IP67, RoHS Compliant

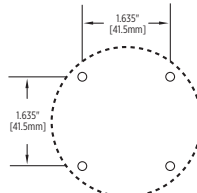
*Due to constant power design, input current (Iin) will vary depending on input voltage. Be sure to size wire awg accordingly for worst case input voltage.

**Product is rated for exterior applications, however it is not rated for submersible applications and should not be mounted in conditions where there is, or is a possibility of, standing water. When installing in wet or damp locations, it is good practice to seal all fixtures and junction boxes with electronics grade RTV silicone sealant to ensure that moisture cannot enter or accumulate in wiring compartments, cables, or other electrical parts. Product should not be installed in extreme locations, including but not limited to those outside of its temperature/humidity ratings and/or applications where product is subject to water runoff or downspouts.

DIMENSIONS

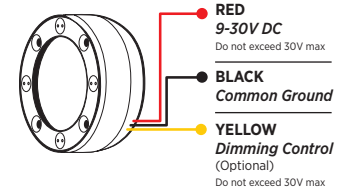


MOUNTING



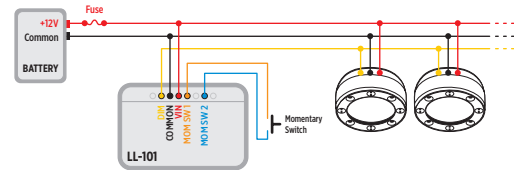
NOTE: #8 or 4 mm mounting screws are recommended for installation (not included)

WIRE FUNCTION

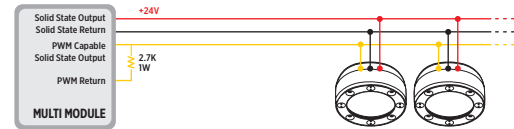


INSTALLATION EXAMPLES

EXAMPLE 1: Momentary Switch Dimming via LightLink LL-101



EXAMPLE 2: Multiplex Dimming Integration (Typical)



*Refer to your Multiplex system integrator and/or available application notes prior to wiring.

ACCESSORIES

KEYWORD	ITEM NUMBER	DESCRIPTION	FIXTURE MAX
LightLink LL-101	LL-101 Series	Dimming Controller, Multiple Interfaces, including Momentary (MOM) Switch Interface.	Dims up to 20 Transit T2110
LightLink LL-105	LL-105 Series	Dimming Controller, Multiple Interfaces including 0 to 10V Control.	Dims up to 50 Transit T2110
LightLink LL-205	LL-205 Series	Dimming Controller, Multiple Interfaces including 0 to 10V Control.	Dims up to 50 Transit T2110
75W Power Box	PS24V75W-E05	Power Box, 75W, 120/240/277VAC Input, 24VDC Output, Steel Enclosure.	Powers up to 7 Transit T2110

ORDERING NUMBER

FIXED FACTORY NUMBER EXAMPLE: **T2110Z-61CXXX**
 USER SELECTED OPTION **Black Anodized Finish, Round Bezel, Warm White LED**

T2110Z - ***** ***** ***** **XXX**

Bezel Finish
 ● 6 Black Anodized

Bezel Shape
 ○ 1 Round

LED Color
 ○ A Cool White
 ○ B Neutral White
 ○ C Warm White
 ● D Green
 ● E Blue
 ● H Red