

RUNWAY[®]
Cove System

TUNABLE WHITE
with **i2 COLOR DEMAND**

FEATURES & BENEFITS

- HIGH COLOR QUALITY**
92+ CRI
- 4 PART OPTICAL SYSTEM**
Provides smooth, even illumination in near to surface applications
- SMOOTH DIMMING TO 1%**
- PLUG & PLAY**
120-277 VAC, 6" Increments
- ONLY 5 WIRES**
LIGHTLINK[™] Enabled | EcoSystem Enabled
- NO POWER PENALTY**
When compared to Static White or WarmDim systems

PERFORMANCE

3000K LUMEN DATA

System Watts/Ft	Delivered Lumens/Ft
	92+ CRI
5	432
6	556
7	680
8	834
9	941
10	976
11	1060
12	1227

Lumens per foot based on a 4', 120° beam LED module @3000K.

LUMEN FACTOR

Output Factors	
CCT	Multiplier
1850K	0.70
2000K	0.70
2200K	0.81
2700K	0.96
3000K	1.00
3500K	1.05
4000K	1.05
4500K	1.05
5700K	1.05
6500K	1.05

MAX RUN/FEED

POWER	Max. Run Length	
	120VAC	277VAC
5	92Ft	108Ft
6	80Ft	100Ft
7	72Ft	96Ft
8	64Ft	88Ft
9	56Ft	84Ft
10	52Ft	80Ft
11	48Ft	78Ft
12	44Ft	76Ft



[DOWNLOAD IES FILES](#)

[DOWNLOAD STATIC WHITE SPEC](#)

[DOWNLOAD WARM-DIM SPEC](#)

you DESIGN IT. we MAKE IT.

SPECIFICATION CODE BUILDER

01 CHOOSE YOUR LOW VALUE - CCT 1

02 CHOOSE YOUR HIGH VALUE - CCT 2

EXAMPLE: R-08W-20K-30K-H-16-QT-L

Series	Power	CCT 1	CCT 2	Color Quality	Optics	Mounting	Controls
R	05W	18K - 1850K †	20K - 2000K	H - High (92+)	16 - 10° x 60°	QT - Quicktrack	V - 0-10V with i2 Light Link
	06W	20K - 2000K	22K - 2200K	R Values on pg. 2	36 - 30° x 60°	GA - Gypsum Angled Washer / Grazer	L - Lutron Ecosystem
	07W	22K - 2200K	27K - 2700K		66 - 60° x 60°	GG - Gypsum Grazer	
	08W	27K - 2700K	30K - 3000K		0 - 120°*		
R RUNWAY	09W	30K - 3000K	35K - 3500K				Geometry Direction
	10W	35K - 3500K	40K - 4000K				Straight
	11W	40K - 4000K	45K - 4500K				L- Shape
	12W	45K - 4500K	50K - 5000K				U-Shape
		50K - 5000K	57K - 5700K				Sq. / Rect.
		57K - 5700K	65K - 6500K				Custom

**10W maximum † CCT2 for 1850K can only extend to 3500K

COLOR QUALITY

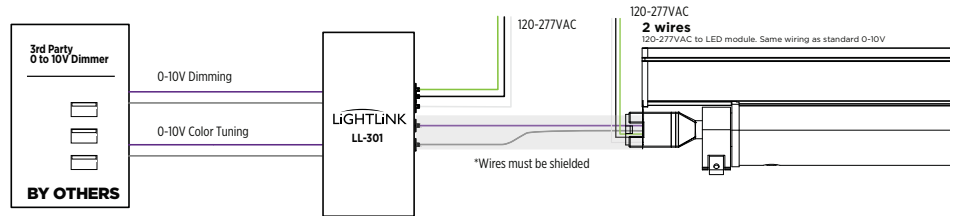
R Values

HIGH CRI 92+

Color Temp	Ra	R1	R2	R3	R4	R5	R6	R7	R8	R9	R10	R11	R12	R13	R14	R15
1850K	85	85	95	93	81	85	97	81	63	32	90	82	92	87	97	78
2000K	95	94	96	97	91	92	91	98	99	97	94	84	84	94	97	98
2200K	93	93	97	99	93	93	98	91	80	60	93	95	95	94	99	88
2700K	93	93	97	99	93	93	96	93	83	64	92	94	89	94	99	90
3000K	92	92	94	96	93	92	93	93	84	63	87	94	86	92	97	89
3500K	93	93	95	95	94	93	92	95	87	69	87	94	82	93	97	91
4000K	91	91	93	94	92	91	90	94	87	64	83	92	78	91	96	89
4500K	93	93	94	94	93	92	90	95	89	71	85	92	73	93	97	92
5000K	94	94	94	93	94	93	91	96	93	78	86	94	75	94	96	93
5700K	92	94	92	90	93	93	88	93	93	79	81	93	76	93	94	94
6500K	93	93	93	91	94	93	88	95	93	78	83	93	71	93	95	93

CONTROLS

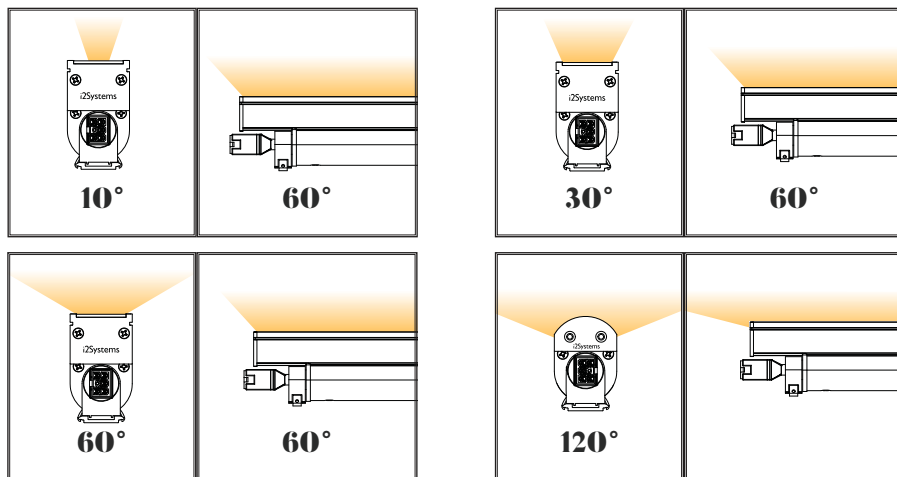
LiGHTLiNK™
Enabled
0-10V CONTROL



LUTRON®

INSTALLATION SIZE	TOTAL FIXTURES (per Control)	CONTROLLABLE ZONES	iPAD / iPHONE CONTROL	SYSTEM	LINK	WALL CONTROLS
SMALL	32	6	NO	GrafikEyeQS w/Eco #QSGRJ-6E	http://www.lutron.com/TechnicalDocumentLibrary/gsgre.pdf	One 4-button (3-scene) wireless Pico and two wireless Pico #PJ2-2BRL-GWH-L01 for Raise/Lower of CCT & Dimming
SMALL - ADDITIONAL ZONES	32	16	NO	GrafikEyeQS w/Eco #QSGRJ-16E	http://www.lutron.com/TechnicalDocumentLibrary/gsgre.pdf	Wall controls to include one QSWS2-5BRLN-WH-EGN
LARGE	64	30+	YES	EnergiSavrNode #QSN-2ECO-S	http://www.lutron.com/TechnicalDocumentLibrary/369-248.pdf	Include the AstronomicTimeClock device needed as part of the basic BOM. Wall controls to include one 4-button (3-scene) wireless Pico and two wireless Pico #PJ2-2BRL-GWH-L01 for Raise/Lower of CCT & Dimming per room.
ENTERPRISE	Lutron Quantum with EcoSystem - Contract your local Lutron Representative for Assistance					

LED Module Beam Angles



Lumen Performance Data

Delivered Lumens Per Foot

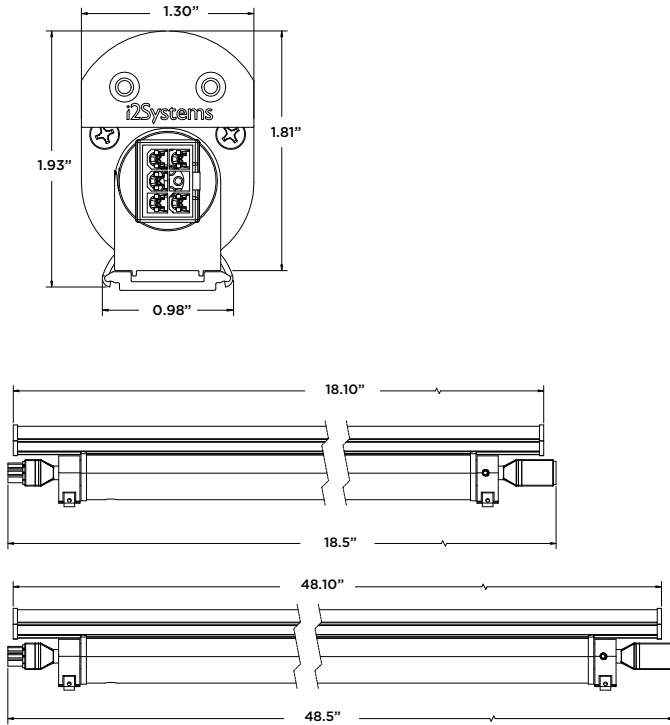
10 X 60		30 X 60	60 X 60	120
WATTS	92 CRI	92 CRI	92 CRI	92 CRI
2	103	121	135	158
3	174	205	229	269
4	221	266	297	348
5	303	330	369	433
6	376	424	475	556
7	446	518	580	679
8	534	636	711	834
9	607	718	803	941
10	680	783	875	976
11	746	809	904	1060
12	813	936	1047	1227

Lumens per foot based on a 4', 120° beam LED module @3000K.

LED Module Technical Properties

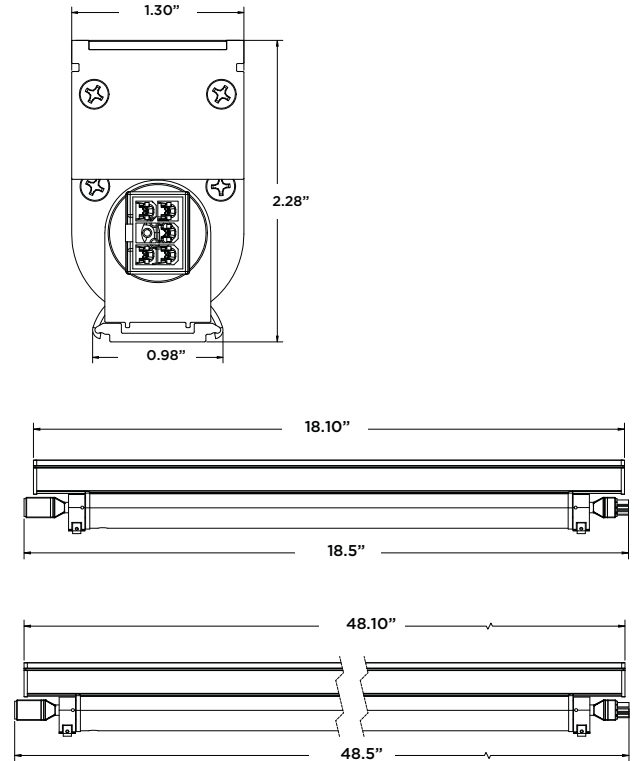
- T TEMPERATURE**
Operating/Storage:
(-20°C) - (+40°C)
- IP PROTECTION:**
IP50, Damp rated,
interior use only
- H HOUSING:**
Aluminum
- W WEIGHT:**
12": 0.87lb.
18": 1.31lb.
48": 3.10lb.
- L LIFE:**
60,000hrs to L70
- V INPUT VOLTAGE:**
120-277V AC 60 Hz

LED Module Dimensions
120°



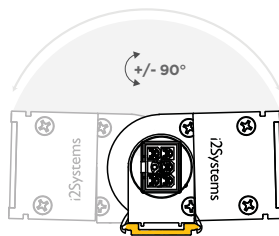
OTHER OPTICS

10° X 60°, 30° X 60°, 60° X 60°

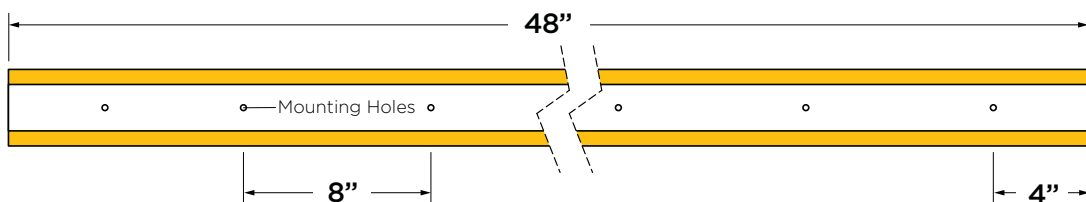
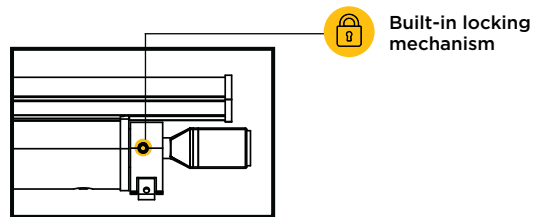


Track / Surface Mountings Systems

QT | Quick Track



Smooth continuous
180° adjustment

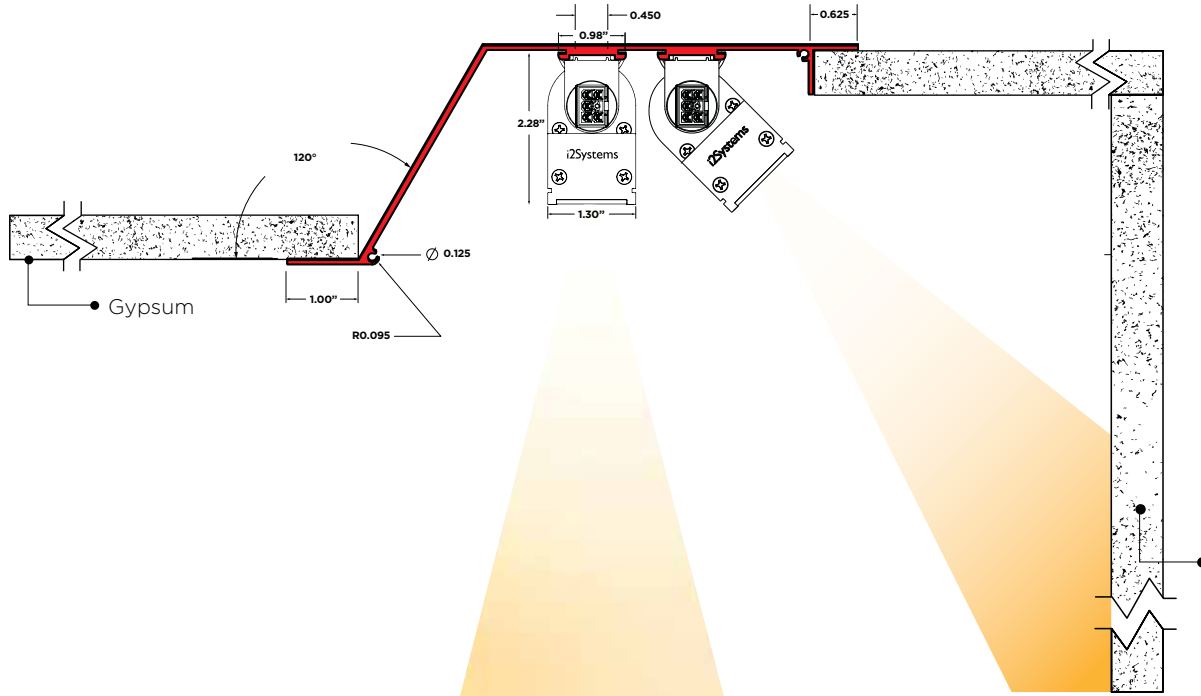


Recessed Mounting Systems

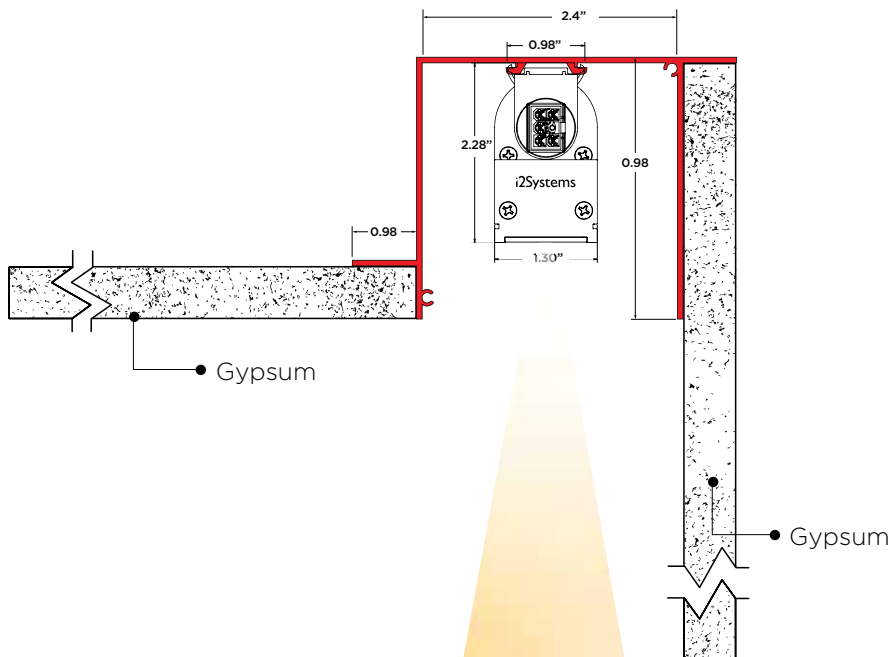


*Extrusions provided unfinished and **unpainted**.
Mud-in systems ship with seam filler for a seamless install.

GA | Gypsum Angled Washer/Grazer

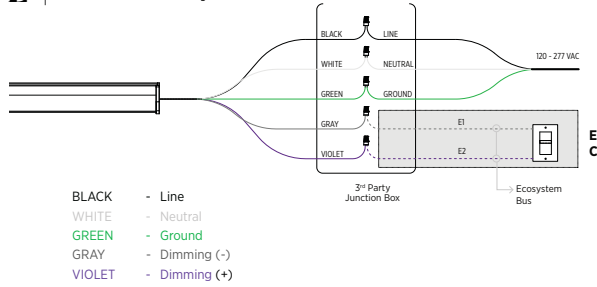


GR | Gypsum Grazer

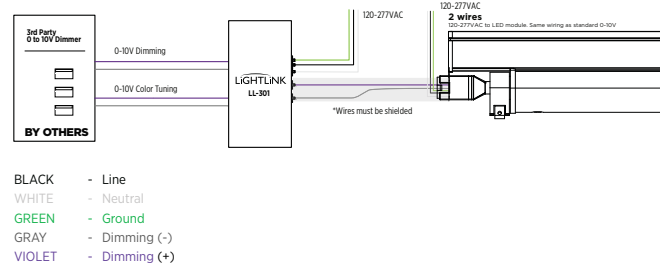


Wiring Diagrams

L | LUTRON® EcoSystem®

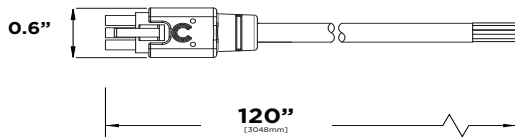


V | 0-10V via i2Systems Light Link



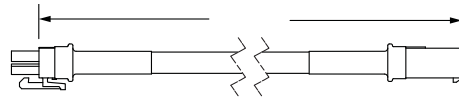
LED Modules for LUTRON® EcoSystem® are only offered in 18" & 48"

Power Input



Jumper Cable

- R-EXT-6 6"
- R-EXT-36 36"



LED MODULE Certifications



LED Module Inrush Current

UNIT	@277VAC	@120VAC
12"	3.2A	1.4A
18"	3.2A	1.4A
48"	6.3A	2.8A