

i2Systems

Simply
Advanced.™

★★★★★
MADE IN THE
USA



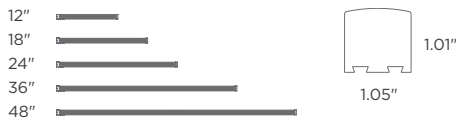
**WIDE LATERAL
THROW**
Patented optical
system provides even
light distribution

ONLY 1" THICK
Rugged design,
advanced
features

V-Line® Gen3

DIMMABLE LED LINEAR LUMINAIRE / MODEL V3280

The V-Line Gen3 offers high-performance, small-size linear illumination for premium yacht lighting and wall washing. Incredibly rugged by design with premium materials and fully dimmable.



FEATURES

A Perfect Blend

Patented optical system provides close-to-fixture illumination with short mixing distance and blended color.

Dimmable

Using our LightLink™ Dimmers, experience simple, smooth LED dimming.

Protected

Onboard SmartDriver™ and Active Thermal Management™ offer a level of fixture protection not found anywhere else.

A Lighting Instrument

Ruggedized aluminum extruded housing, premium anodized finish, and engineered brackets offer solid construction and maximum versatility.



Typical Applications

- Valance
- Cove
- Wall Wash
- Compartment

Quick Specs

8W	Power / Foot
400	Lumen Output / Foot Typ
30°	Beam Angle
65°	Beam Angle
82°	Beam Angle

LED Color

- 3000°K Warm White
- 4000°K Neutral White
- 5700°K Cool White
- Red
- Green
- Blue

Housing

- Black Mil-Spec Anodized Aluminum

Mounting

- Rotational, Hinged & Fixed Brackets.

The V-Line is a dimmable LED linear luminaire. Constructed with premium materials and incredibly rugged by design, the V-Line is offered in five different lengths with fixed and adjustable mounting options.

US 8,255,487 | US 8,264,172
Additional Patents Pending

CUSTOMER COMPANY	CUSTOMER CONTACT
P.O.#	CUSTOMER PHONE #
SHIPPING ADDRESS	

FIXTURE BUILDER

V3280A	-		6		I
FIXTURE TYPE	LENGTH	BEAM ANGLE	LED COLOR	APPLICATION	
V-Line	1 12" 8 18" 2 24" 3 36" 4 48"	3 30° 6 65° 8 82°	AAG Cool White 5700°K BBD Neutral White 4000°K CBB Warm White 3000°K DC Green EC Blue HC Red	<input checked="" type="checkbox"/> Indoor	

ACCESSORIES

DIMMING CONTROL		BRACKETS	
<input type="checkbox"/>	LL-101 Momentary Switch Dimmer	<input type="checkbox"/>	VLA-14 Rotational Adjustable
<input type="checkbox"/>	LL-205-10V 0-10V Bridge & Dimmer	<input type="checkbox"/>	VLA-5 Hinge Adjustable
		<input type="checkbox"/>	VLA-15 Fixed

LightLink Dimmers dim up to 50 Feet of V-Line using a single control wire for dimming.

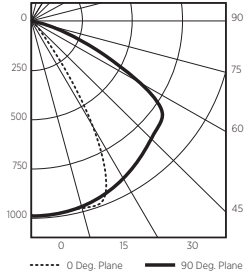
See below for additional dimming information and wiring diagrams.

QUICK SPECS

Input Voltage	18-30V DC
Power / Ft	8 Watts
Lumens / Ft	400 lms typ. @ 3000°K
Efficiency	51 lms / W typ. @ 3000°K
Beam Angle	30°, 65°, 82°
Operating Temp	-20°C to 40°C
Max. Case Temp	50°C
Wiring	6 Ft, 22AWG Cable
Housing	Mil-Spec Anodized Aluminum
Lens	UV-Resistant Acrylic

PHOTOMETRICS

V-LINE (V3280A-46CBB) RESULTS



Mounting Height	fc @ Center Beam	Diameter of Lighted Plane
4.0 ft	61.1 fc	4.78 ft
6.0 ft	27.2 fc	7.18 ft
8.0 ft	15.3 fc	9.57 ft
10.0 ft	9.78 fc	12.0 ft
12.0 ft	6.79 fc	14.4 ft
14.0 ft	4.99 fc	16.7 ft
16.0 ft	3.82 fc	19.1 ft

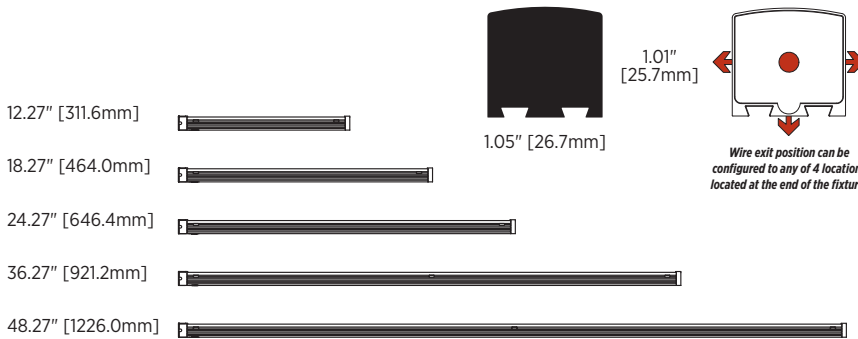
for lux, multiply by 10.8

Multiplier Table

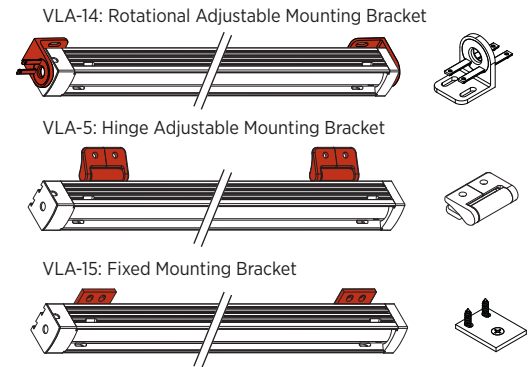
3000°K	4000°K	5700°K
	x1.05	x1.10

All results are according to IESNA LM-79-2008: Approved Method for the Electrical and Photometric Testing of Solid-State Lighting.

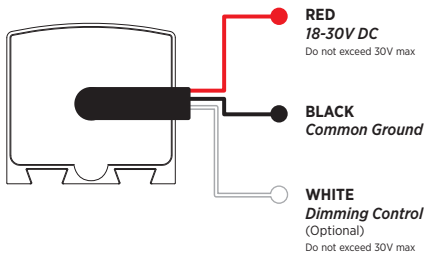
DIMENSIONS



MOUNTING



WIRE FUNCTION



Using 3rd Party Multiplex & PWM Dimmers:

The White Dimming Control wire is engineered to work with i2Systems LightLink™ Dimmers and 3rd party PWM type dimmers.

To use a 3rd party PWM dimmer, drive the White Dimming Control Wire using a Pulse Width Modulation (PWM) Controller. By driving the White Dimming Control Wire Low to DC Common, the Fixture turns off. By driving the White Dimming Control Wire High to DC Positive (i.e. +24V), or by allowing the wire to Float (no connection), the Fixture turns on to 100%.

The PWM signal must be a Square Wave at a fixed frequency and a maximum voltage of 30V DC. Frequency range may be between 100Hz and 500Hz (user selected). A wiring example is shown on the last page of this spec sheet.

PROTECTION FEATURES

Active Thermal™

Active Thermal dims the V-Line to help reduce the risk of overheating.

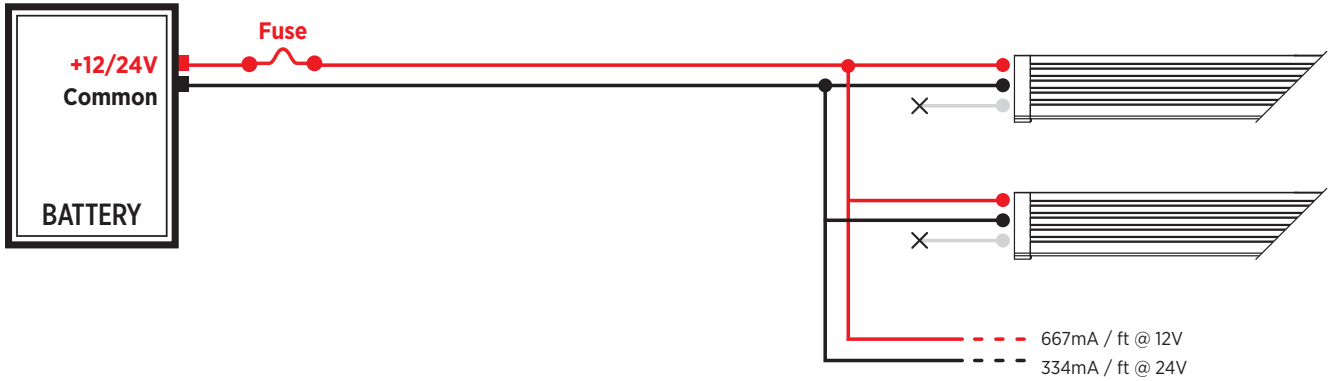
Electrical Protection

- Dim Line Protected to 30V DC
- Reverse Polarity Protection
- Auto-Reset Fuse

LIGHTLINK™ See wiring examples below.

WIRING EXAMPLE

12/24V DC NO DIMMING



WIRING EXAMPLE

12/24V DC PUSH BUTTON SWITCH DIMMING

