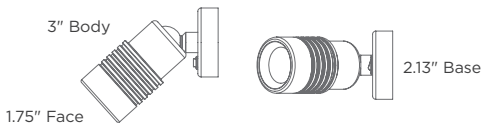


Reading LED

MARINE-GRADE LED SWIVEL READING LIGHT

A first of its kind, our LED Reading Light is machined from solid aluminum and finely tuned for smooth, fluid-like adjustment without the heat of halogen.



FEATURES

Solid Machined Housing

Machined from solid aluminum for the highest level of quality and craftsmanship available in today's reading lights.

Warm White Light, Optimized Optics

Beautiful warm white and optimal light coverage for reading or general lighting.

Smooth, Ball-Joint Motion

Fully adjustable ball joint design, offering fluid motion and multi-plane adjustment.



Typical Applications

- Reading
- General Lighting

Quick Specs

2W	Power
6°	Narrow Beam
20°	Medium Beam

LED Color

■	2700°K Warm White
■	3000°K Warm White
■	6500°K Cool White

Finish Color

■ Clear Anodized Aluminum



Reading LED

MODEL T3311 | MARINE-GRADE LED SWIVEL READING LIGHT

The Reading LED is a marine-grade LED Reading Light offering simple surface mount installation and an optional integrated on/off switch. The adjustable ball joint design offers fluid motion and maximum adjustment.

CUSTOMER COMPANY	CUSTOMER CONTACT
P.O.#	CUSTOMER PHONE #
SHIPPING ADDRESS	

FIXTURE BUILDER

T3311Z	-	1			OPTIONS
FIXTURE TYPE Reading LED	SWITCH 0 No Switch 1 Switch	FINISH 1 Clear Anodized	BEAM ANGLE M Medium (22°) N Narrow (6°)	LED COLOR A00C Cool White 6500°K CAB Warm White 3000°K CAA Warm White 2700°K	<input type="checkbox"/> RETAIL PACKAGING <i>Products available in retail packaging are listed below.</i>

RETAIL PACKAGING

AVAILABLE IN RETAIL BLISTER PACK

PART NUMBER	DESCRIPTION
T3311Z-11MCAB	Reading Light w/ Switch, Medium Beam, 3000°K Warm White

QUICK SPECS

Input Voltage	9-30V DC
Input Power	2 Watts
Beam Angle	6°, 22°
Operating Temp	-20°C to 40°C
Max. Case Temp	50°C
Wiring	6" 18 AWG
Housing	Anodized Aluminum Housing
Lens	Polycarbonate



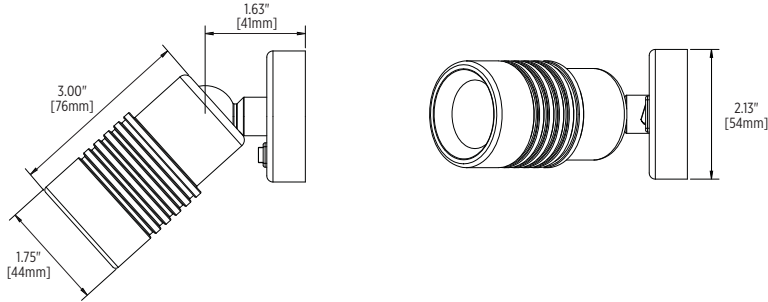
Simply Advanced.

355 Bantam Lake Rd.
Morris, CT 06763 USA
www.i2Systems.com

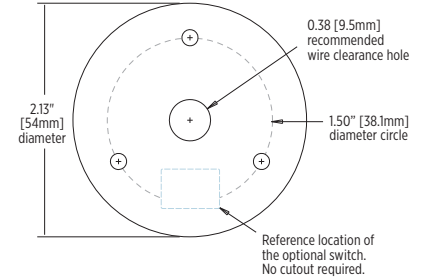
tel +1.860.567.0708
fax +1.860.567.2501
sales@i2Systems.com

© 2014 Integrated Illumination Systems, Inc. All Rights Reserved. i2Systems and the i2Systems Logo are either registered trademarks or trademarks of i2Systems. Due to ongoing improvement and innovation, product details and specifications are subject to change without notice.

DIMENSIONS

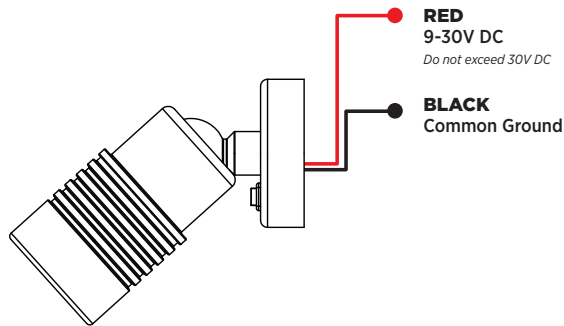


MOUNTING



NOTE: #6 [3.5mm] flat head or oval head screws are recommended for installation.

WIRE FUNCTION



PROTECTION FEATURES



Electrical Protection

- Transient Protection
- Reverse Polarity Protection
- Auto-Reset Fuse

WIRING EXAMPLE

12/24V DC

