

compose WALL

TYPE: _____

High-Efficiency Linear Asymmetrical LED Light Fixture
for Indirect General Illumination

Direct Wall Mount



ELECTRICAL SPECIFICATIONS

- Input Voltage: 120 - 277 VAC, 50 / 60 Hz
- Input Power: 5 W - 12 W Factory Programmable
- Max. run length: 8 Watts 60 Ft @ 120 VAC
100 Ft @ 208 VAC, 240 VAC, 277 VAC
- Temperature: Startup/Operating: -20°C to +40°C
Storage: -30°C to +60°C
Relative Humidity: 10 - 90% (*non-condensing*)
- Dimming: 10% to 100% via 0 - 10 VDC
- Life: 50,000 hours to L70



MECHANICAL/INSTALLATION

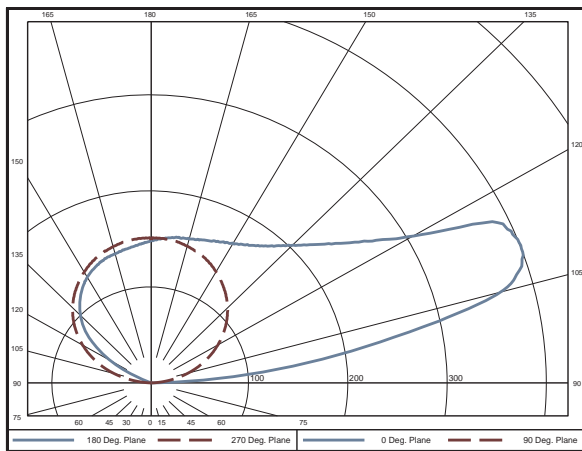
- Plug-and-play design allows for any combination of 1, 1.5 and 4 foot modules to be installed for up to 100' from a single power feed.
- Luminaires can be installed in a variety of configurations: linearly, around corners, or in curved installations. Both inside and outside Corner Units are available for continuous light. Lit, striation-free corners.
- Prefabricated cove mounting channel reduces installation time and cost, while keeping the small form factor.
- Easily connects to the building's power source (100 - 277 VAC, 50 / 60 Hz) via entry cable provided.
- Check out compose COVE and compose ACT mounting systems also available.

OPTICAL SYSTEM

- LED CRI: Minimum 80; Typical 82 (90+ available)
- Efficacy: 96.5 lm / Watt
- High quality LEDs and strict binning controls insure color consistency and long-lasting performance.
- Individually serialized units provide photometric traceability.
- 2-Step MacAdam Ellipse
- Individually serialized units for photometric traceability.

POLAR PLOT

120° Beam Angle 96.5 lm / W



3000K LUMEN DATA

System Watts/Ft	Delivered Lumens/Ft	
	82 CRI	92 CRI
	483	386
5	483	386
6	579	463
7	676	540
8	772	618
9	869	695
10	965	772
11	1062	849
12	1158	926

Output Factors	
CCT	Multiplier
2000K	0.75
2700K	0.96
3000K	1
3500K	1.03
4000K	1.05

Other CCTs available.

LED Color Consistency within
2-Step MacAdam Ellipse

PART NUMBER BUILDER

SERIES	MOUNTING	STYLE	LED CCT	POWER	COLOR	LENGTH
CP Compose	W Wall Mount	F Flat Front	22K 2200 K	05W 5 Watts	WHT Dove White Custom colors also available	Straight runs ____ FT Specify total length in feet.
			27K 2700 K	06W 6 Watts		
			30K 3000 K	07W 7 Watts		
			35K 3500 K	08W 8 Watts		
			40K 4000 K	09W 9 Watts		
				10W 10 Watts		
				11W 11 Watts		
	12W 12 Watts					

ACCESSORIES

CABLES

CP-PE-120IN Power Entry 120"

END CAPS

CPW-F-END Flat Front

- OR -

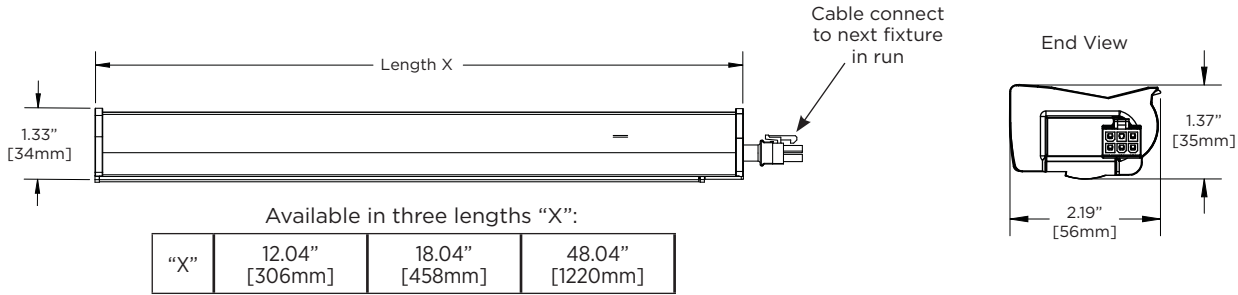
CORNER TYPE

CI Inside
CO Outside

High-Efficiency Linear Asymmetrical LED Light Fixture for Indirect General Illumination

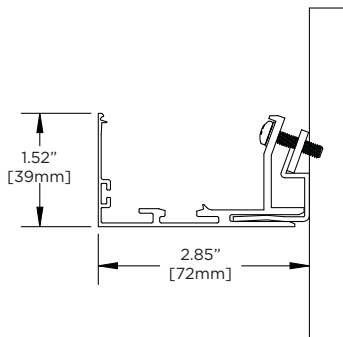
Direct Wall Mount

COVE CARTRIDGE DIMENSIONS



PROFILE OPTIONS

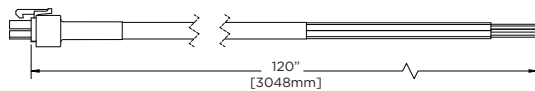
Flat Front



End Caps are also available.

CABLE OPTIONS

Power Entry Cable CP-PE-120IN (includes plastic end cap)



Wire Colors
 BLACK - Line
 WHITE - Neutral
 GREEN - Ground
 GRAY - Dimming (-)
 VIOLET - Dimming (+)

NOTE: When unpacking the Power Entry Cable, set aside the black plastic cap. This cap will be needed cap to end of the run.

High-Efficiency Linear Asymmetrical LED Light Fixture for Indirect General Illumination

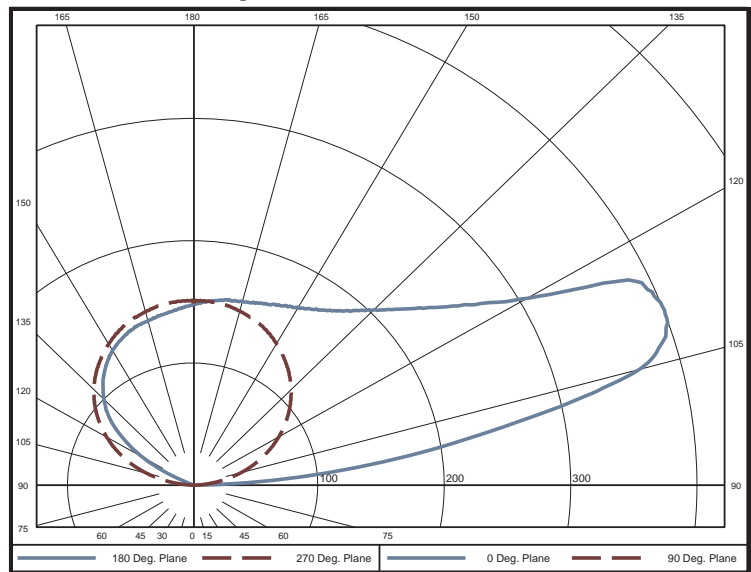
Direct Wall Mount

PHOTOMETRICS

compose WALL 3000K, 1ft, 8W

Integrating Sphere	
Luminous Flux	699 Lumens
Efficacy	96.5 lm/W
CCT	2905 K
CRI (Ra)	82.8
Electrical Data at 120 VAC	
Test Temperature	24.5 °C
Voltage	120.0 VAC
Current	0.06300 A
Power	7.250 W
Power Factor	0.956
Frequency	60 Hz
Current THD	20.0%

compose WALL Polar Plot



Zonal Lumen Summary

Zone	Lumens	% of Luminaire	Zone	Lumens	% of Luminaire	Zone	Lumens	% of Luminaire
0-5	0	0.0%	60-65	0.01	0.0%	120-125	57.59	8.40%
5-10	0	0.0%	65-70	0.04	0.0%	125-130	54.90	8.0%
10-15	0	0.0%	70-75	0.09	0.0%	130-135	52.08	7.6%
15-20	0	0.0%	75-80	0.17	0.0%	135-140	48.83	7.2%
20-25	0	0.0%	80-85	0.27	0.0%	140-145	45.07	6.6%
25-30	0	0.0%	85-90	0.41	0.1%	145-150	40.72	6.0%
30-35	0	0.0%	90-95	5.68	0.8%	150-155	35.77	5.2%
35-40	0	0.0%	95-100	24.81	3.6%	155-160	30.18	4.4%
40-45	0	0.0%	100-105	46.16	6.8%	160-165	24.01	3.5%
45-50	0	0.0%	105-110	58.37	8.5%	165-170	17.47	2.6%
50-55	0	0.0%	110-115	63.81	9.3%	170-175	10.62	1.6%
55-60	0.00	0.0%	115-120	62.05	9.1%	175-180	3.56	0.5%

CERTIFICATIONS

UL (US & Canada)
FCC
RoHS
Made in the USA

