

i2Systems®

Simply
Advanced.™



Rotate™ Case

retail rotation at its finest

Rotate™ Case LED Linear Luminaire

A perfect retrofit or new case solution offering height and rotational adjustment. Directional optics and brilliant LEDs make products shine.

UL LISTED/CLASSIFIED FOR BOTH NEW & RETROFIT CABINETS



PATENTS PENDING



Rotate™ Case

MODEL T8210S | DISPLAY CASE LED LINEAR LUMINAIRE

The Rotate Case is a high-performance linear LED case lighting solution designed for premium sparkle, perfect color, and extended operation.

PATENTS PENDING



4000K only

FIXTURE BUILDER

T8210S - 32

FIXTURE TYPE

Rotate Case LED Linear Luminaire

LENGTH

- 23 22.88"
- 33 33.13"
- 39 39.13"
- 47 46.88"

FINISH

32 Silver

LED COLOR

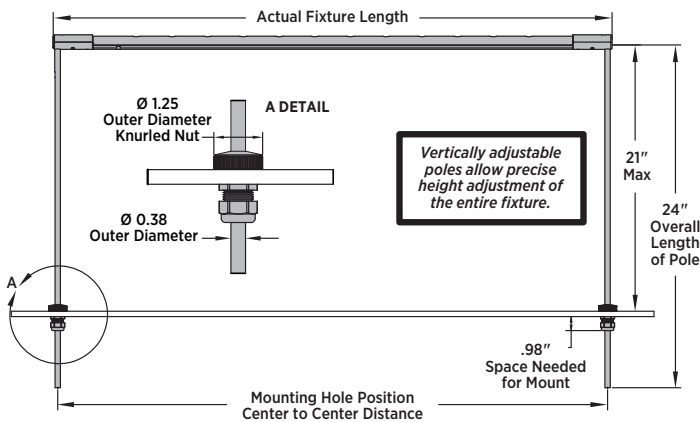
- AAF Cool White – 5000°K
- BBD Neutral White – 4000°K*
- CBC Warm White – 3500°K*

*85 Typical CRI

UL CLASSIFICATION
(check one)

- UL CLASSIFIED**
Select if you are retrofitting cabinets in the field.
- UL LISTED**
Select if you are an OEM installing into a new cabinet.

MOUNTING



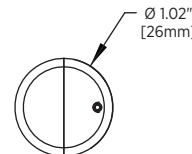
DIMENSIONS

Nominal Length	Actual Fixture Length	Mounting Hole Position	Power
23"	22.88"	22.25"	14W
33"	33.13"	32.5"	14W
39"	39.13"	38.5"	21W
47"	46.88"	46.25"	28W

ACCESSORIES

MOUNTING & POWER

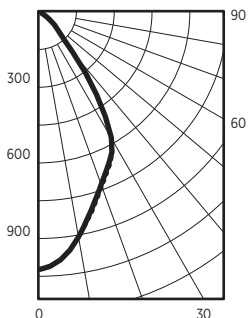
- 810-02845-1 **Accessory Kit:**
2 Poles, 2 Mounting Nuts /Strain Relief, Instruction Sheet
- PS1000mA33W-E09 **33W Driver w/ Enclosure:**
120/240V Input, Hardwire
- 410-02864 **33W Driver:**
120/240V Input, Hardwire



1 Driver required for each Rotate Case.

PHOTOMETRICS

ROTATE CASE (T8210S-3332BBD) RESULTS



----- 0 Deg. Plane
————— 90 Deg. Plane

Multiplier Table	3500°K	5000°K
Rotate Case	x0.95	x1.15

All results are according to IESNA LM-79-2008: Approved Method for the Electrical and Photometric Testing of Solid-State Lighting.

Designed. Engineered. Manufactured. by i2Systems in the USA

i2Systems is an industry leader in LED lighting technology, product design, and manufacturing. Founded in 2003, our company is built on the unwavering philosophy of leading-edge lighting technology made simple.

visit us online www.i2Systems.com

i2Systems tel +1.860.567.0708
355 Bantam Lake Rd. fax +1.860.567.2501
Morris, CT 06763 USA sales@i2Systems.com

© 2015 Integrated Illumination Systems, Inc. All Rights Reserved. i2Systems, the i2Systems Logo are either registered trademarks or trademarks of i2Systems. Due to ongoing improvement and innovation, product details and specifications are subject to change without notice.