



# Reading LED

## MODEL T3311 | MARINE-GRADE LED SWIVEL READING LIGHT

The Reading LED is a marine-grade LED Reading Light offering simple surface mount installation and an optional integrated on/off switch. The adjustable ball joint design offers fluid motion and maximum adjustment.

CUSTOMER COMPANY	CUSTOMER CONTACT
P.O. #	CUSTOMER PHONE #
SHIPPING ADDRESS	

### FIXTURE BUILDER

T3311Z	-		1			<b>OPTIONS</b>
<b>FIXTURE TYPE</b>	<b>SWITCH</b>	<b>FINISH</b>	<b>BEAM ANGLE</b>	<b>LED COLOR</b>		<input type="checkbox"/> <b>RETAIL PACKAGING</b>
Reading LED	0 No Switch 1 Switch	1 Clear Anodized	M Medium (22°) N Narrow (6°)	A00C Cool White 6500°K CAB Warm White 3000°K CAA Warm White 2700°K		<input type="checkbox"/> <b>RETAIL PACKAGING</b> <i>Products available in retail packaging are listed below.</i>

### RETAIL PACKAGING

AVAILABLE IN RETAIL BLISTER PACK

PART NUMBER	DESCRIPTION
T3311Z-11MCAB	Reading Light w/ Switch, Medium Beam, 3000°K Warm White

### QUICK SPECS

<b>Input Voltage</b>	9-30V DC
<b>Input Power</b>	2 Watts
<b>Beam Angle</b>	6°, 22°
<b>Operating Temp</b>	-20°C to 40°C
<b>Max. Case Temp</b>	50°C
<b>Wiring</b>	6" 18 AWG
<b>Housing</b>	Anodized Aluminum Housing
<b>Lens</b>	Polycarbonate



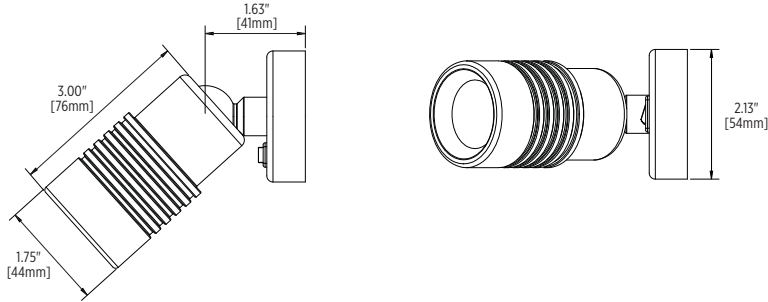
Simply Advanced.

355 Bantam Lake Rd.  
 Morris, CT 06763 USA  
 www.i2Systems.com

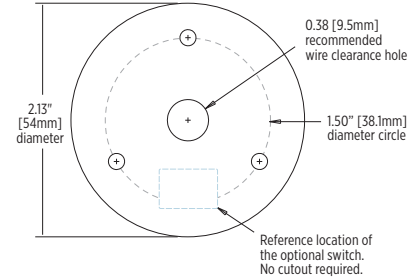
tel +1.860.567.0708  
 fax +1.860.567.2501  
 sales@i2Systems.com

© 2013 Integrated Illumination Systems, Inc. All Rights Reserved. i2Systems, the i2Systems Logo and Apeiron are either registered trademarks or trademarks of i2Systems. Due to ongoing improvement and innovation, product details and specifications are subject to change without notice.

## DIMENSIONS

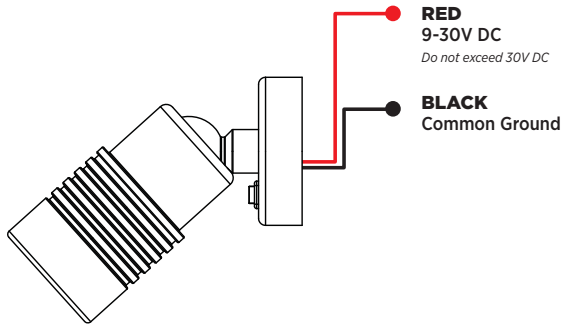


## MOUNTING



NOTE: #6 [3.5mm] flat head or oval head screws are recommended for installation.

## WIRE FUNCTION



## PROTECTION FEATURES



### Electrical Protection

- Transient Protection
- Reverse Polarity Protection
- Auto-Reset Fuse

## WIRING EXAMPLE

12/24V DC

