



E11 Power Box

Outdoor Low Voltage Transformer Box w/ Circuit Breaker

FEATURES

- 120V AC to 12V AC Transformer
- Black Powdercoat Steel Enclosure
- NEMA 3R Rated
- Thermal Circuit Breaker

MODELS

- 50VA

ENVIRONMENT

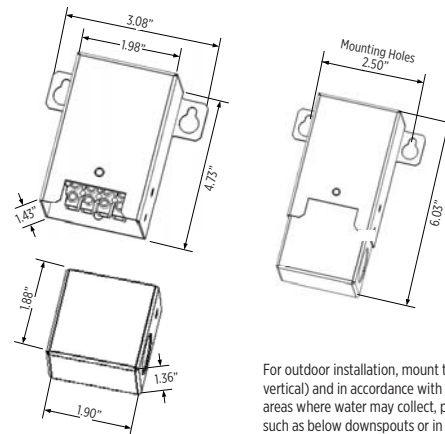
- Dry
- Damp
- Wet

ELECTRICAL SPECIFICATIONS

MODEL	PS12V50VA-E11
Maximum Output Power	50VA
Output Voltage	12V AC, Typical
Output Current	4.2A
Input Voltage	120V AC
Input Frequency	60 Hz
Input Current	0.2A/120V AC
Operating Temp. Range ¹	-20° to 40°C
Environment	Dry, Damp, Wet
Certification	cETLus (US & Canada)

¹ Operating Temp. Range is contingent on the Power Box being installed in free air.

MECHANICAL SPECIFICATIONS



For outdoor installation, mount the E11 vertically (4.73" dimension vertical) and in accordance with local electrical standards. Avoid any areas where water may collect, pool, or puddle, or extreme locations such as below downspouts or in areas of water runoff.

WIRING / SETUP

