

When used with i2Systems Gen2 Fixtures.

# E10PW Power Box

## FEATURES

- 120-277V AC Input
- Single & Dual Output
- Powder-Coated Steel Enclosure
- Knockouts for Simple Wiring
- Designed to NEMA 3R (Outdoor Use)

## ELECTRICAL SPECIFICATIONS

MODEL	PS30V280W-E10PW	PS30V560W-E10PW <sup>4</sup>
Continuous Output Power <sup>1</sup>	280 Watts	560 Watts (280W per Output)
Maximum Output Power	320 Watts	640 Watts (320W per Output)
Output Voltage	30V DC, Constant Voltage	30V DC, Constant Voltage
Output Current	10.7A Continuous <sup>5</sup>	10.7A Continuous per Output <sup>5</sup>
Input Voltage	120-277V AC	120-277V AC
Input Frequency	50/60 Hz	50/60 Hz
Input Current	3.5A/115V AC, 1.45A/277V AC	7A/115V AC, 2.9A/277V AC
Input Inrush Current (typ)	75A/230V AC	150A/230V AC
Power Factor (typ)	>0.98	>0.98
Operating Temp. Range <sup>3</sup>	-30° to 40°C	-30° to 40°C
Environment	Dry, Damp, Wet <sup>6</sup>	Dry, Damp, Wet <sup>6</sup>
Certification	cULus (US & Canada) <sup>2</sup>	cULus (US & Canada) <sup>2</sup>

<sup>1</sup> Specified wattage is derated and is the maximum recommended LED luminaire load under normal operating conditions. Refer to specific LED product installation guides for detailed layout information and maximum run lengths. Provided the Power Box is operated within the specified operating temperature range, additional derating is not required.

<sup>2</sup> UL Listing is contingent on the Power Box's use with i2Systems Gen2 Fixtures.

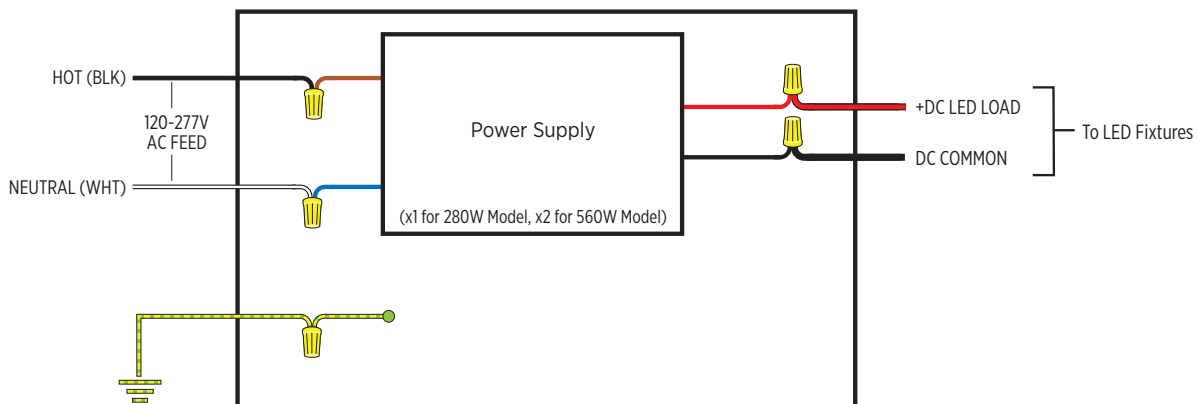
<sup>3</sup> Operating Temperature Range is contingent on the Power Box being installed in free air.

<sup>4</sup> PS30V560W-E10PW provides a dual output of 280 Watts per output. Do not parallel outputs to increase available power, rather configure product runs separately.

<sup>5</sup> LED Load should not exceed 9.3 Amps (280 Watts) under normal operation. Be sure not to overload Power Box.

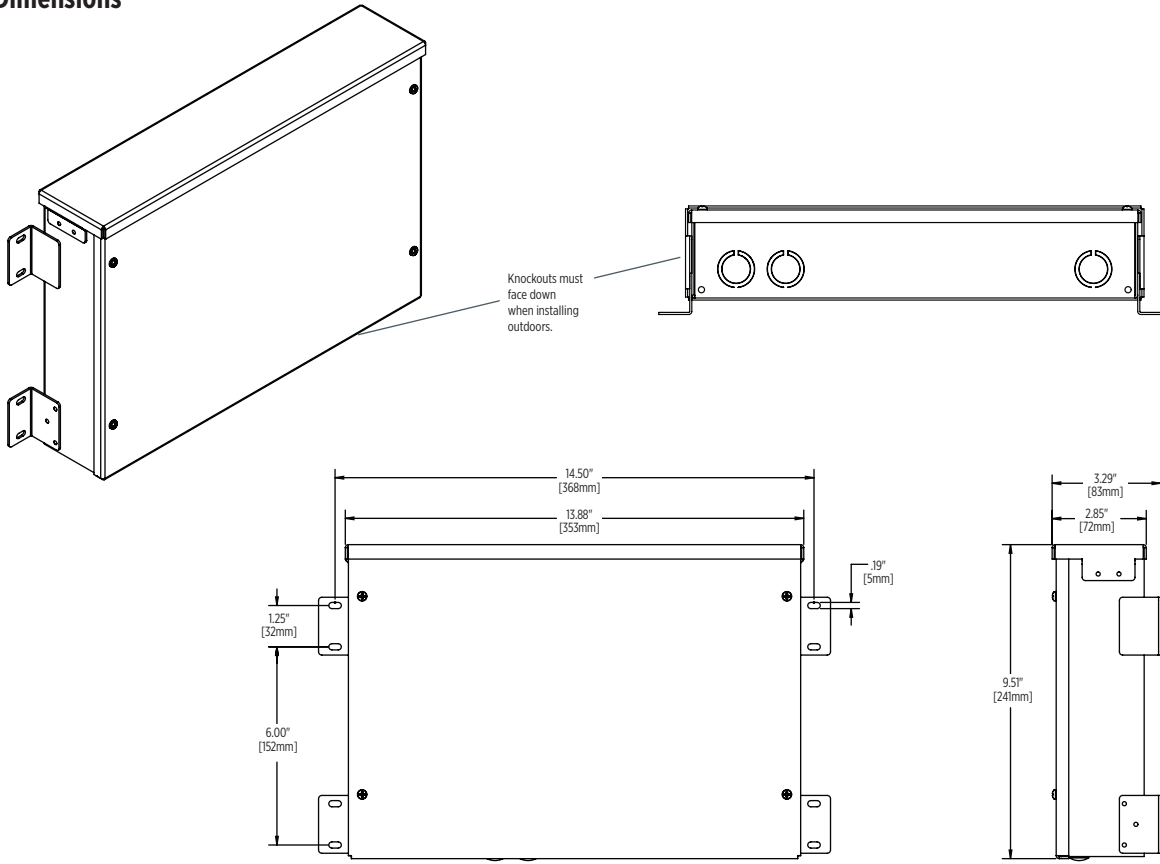
<sup>6</sup> Refer to page 2 for proper box orientation for Outdoor Use.

## WIRING / SETUP



Refer to LED Fixture Installation Guides and/or Instruction Sheets for Detailed Wiring Diagrams.

Dimensions



**For Outdoor Installation:**

- Mount the enclosure a minimum of 12" above horizontal surface.
- Mount the enclosure with knockouts facing down.
- Do not install where water may pool, collect, or puddle.