

E05P/ E05PW Power Box

FEATURES

- 120-277V AC Input
- 75 Watt, 24V DC Output
- Powder-Coated Steel Enclosure
- Designed to NEMA 3R (E05PW Model)

MODELS

- E05P: Indoor
- E05PW: Outdoor

ELECTRICAL SPECIFICATIONS

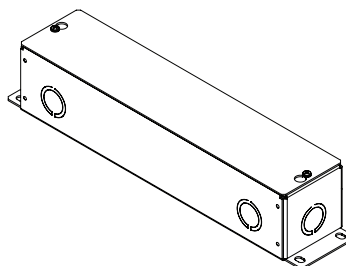
MODEL	PS24V75W-E05P / E05PW
Continuous Output Power ¹	75 Watts
Maximum Output Power	100 Watts
Output Voltage	24V DC, Constant Voltage
Output Current	4.16A
Input Voltage	120-277V AC
Input Frequency	50/60 Hz
Input Current	1A/120V AC
Power Factor (Typ.)	>0.9
Operating Temp. Range ²	-30° to 40°C
Environment	Dry, Damp, Wet ³
Certification	cULus (US & Canada)

¹ Specified wattage is derated and is the maximum recommended load under normal operating conditions. Provided the Power Box is operated within the specified operating temperature range, additional derating is not required.

² Operating Temp. Range is contingent on the Power Box being installed in free air.

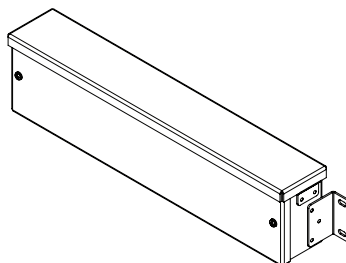
³ Model E05PW is for wet locations and designed to NEMA 3R. Refer to page 2 for proper box orientation.

2 MODELS TO CHOOSE FROM:



E05P (Indoor Model)

- Knockouts on 4 Sides
- Smart Cover Design

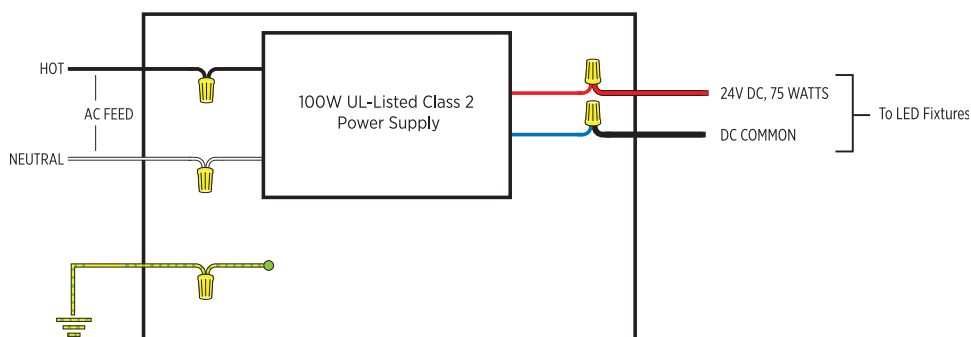


E05PW (Outdoor Model)

- Designed to NEMA 3R
- Durable Outdoor Finish

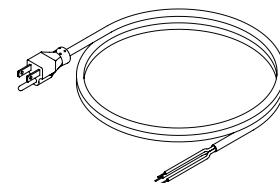
See Page 2 for Detailed Dimensions

WIRING / SETUP



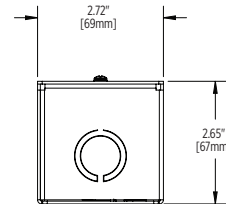
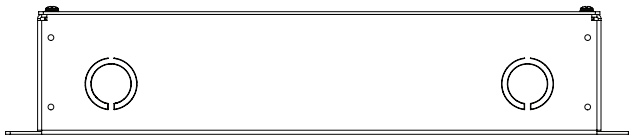
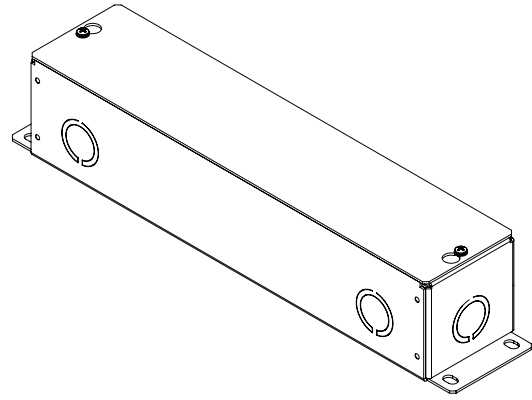
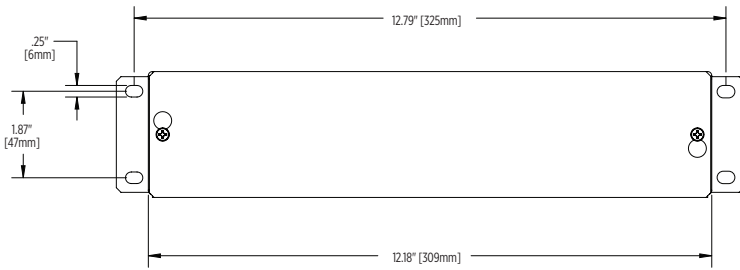
Refer to LED Fixture Installation Guides and/or Instruction Sheets for Detailed Wiring Diagrams.

Molded Plug Accessory: 685-02291-1



Use 685-02291-1 molded plug for simple plug-in installation to North American outlets. Includes strain relief gland.

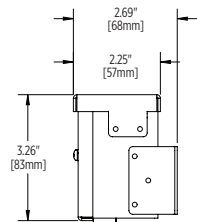
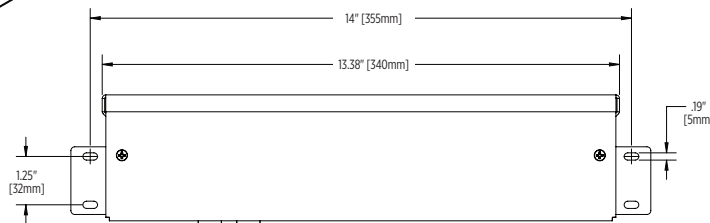
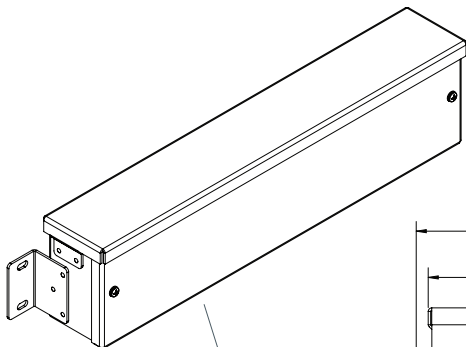
E05P (Indoor Model)



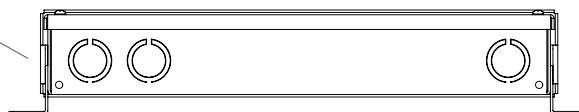
Installation Notes:

Requires a minimum of 2" of free air clearance on all sides except for mounting face which may be vertically or horizontally hard-mounted.

E05PW (Outdoor Model)



Knockouts must face down when installing outdoors.



For Outdoor Installation:

- Use model PS24V75W-E05PW Only.
- Mount the enclosure a minimum of 12" above horizontal surface.
- Mount the enclosure with knockouts facing down.
- Do not install where water may pool, collect, or puddle.