



Gen4™

Gen4 is an architectural-grade, wet-location LED luminaire engineered for the illumination & highlighting of walls, surfaces and tight coves.



▶ FEATURES

- Gen4 design allows for any combination of 1, 2, 3 and 4Ft LED modules to be installed for up to 12Ft from a single power feed.
- 1% low-level flicker free dimming.
- Active Thermal Management monitors LED module case temperature and discreetly dims LED module upon signs of possible overheat.
- SmartDriver technology integrated in every LED module, maintaining continuous output regardless of voltage drop, temperature or voltage fluctuations.
- Actively managed ANSI Sub-Binning to ensure accurate and consistent color matching for each LED module.

▶ PHYSICAL

- Mil-Spec Anodized Aluminum Housing/UV Resistant Acrylic Lens.
- Weight: 11": 0.37lb, 22": 0.59, 32": 0.82lbs. 48": 1.17lb.
- Protection Rating: IP66
- Warranty: 3 Years

▶ ELECTRICAL SPECIFICATIONS

Input Voltage	20-30V DC, 24V nom. Use with E10PW 75W
Input Power	5W
Max. Load	16 Feet @ 5W/Ft
Max. Wire Distance	50 Ft from Last Light to Power Box using 16 AWG
Temperature	Startup /Operating: -20°C to +40°C Relative Humidity: 0-95% (non-condensing)
Dimming	1% via 0 - 10 VDC
Life	60,000 hours to L70

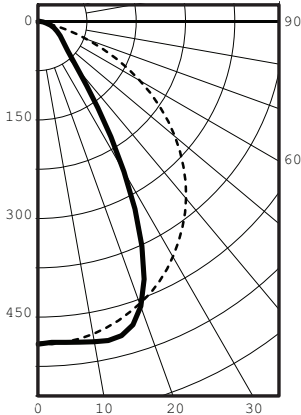


▶ PERFORMANCE

EFFICACY: 45lms/W, 5W/Ft

POLAR PLOT ——— 0 Deg. Plane - - - - - 90 Deg. Plane

65° Beam Angle



Mounting Height	fc @ Center Beam	Diameter of Lighted Plane
4.0 ft	19.5 fc	4.4 ft
6.0 ft	8.7 fc	6.6 ft
8.0 ft	4.9 fc	8.8 ft
10.0 ft	3.1 fc	11.0 ft
12.0 ft	2.2 fc	13.2 ft
14.0 ft	1.6 fc	15.4 ft
16.0 ft	1.2 fc	17.6 ft

For lux, multiply by 10.8

▶ LED MODULE PART CODE TABLE

Product	Output	Length	Beam Angle	LED Color	Location	Finish
V4295	<input type="text"/>	- <input type="text"/>	<input type="text"/>	<input type="text"/>	<input type="text"/>	- <input type="text"/>
	A = 05W/Ft	1 = 11.16"	6 = 65°	CBA = 2700K	Blank = Outdoor	Blank = Black Anodize
		8 = 16.41"		CBB = 3000K	1 = Indoor	2 = Clear Anodize
		2 = 22.66"		CBC = 3500K		3 = White
V4295		3 = 32.16"		BBD = 4000K		C = Custom*
		4 = 42.66"		BBE = 4500K		
		5 = 48.58"		AAF = 5000K		
				AAG = 5700K		
				AAH = 6500K		

EXAMPLE: V4295A-16AAH

*For Additional Colors Including Solid Colors Contact Factory



Integrated Illumination Systems, Inc.
355 Bantam Lake Road
Morris, CT 06763 USA

tel +1.860.567.0708
sales@i2systems.com

Product information is subject to change without notice.
All brand names and product names are trademarks of i2Systems.
© 2019 i2Systems. All Rights Reserved.

www.i2systems.com
RevH
Page 1 of 3



Gen4™

Gen4 is an architectural-grade, wet-location LED luminaire engineered for the illumination & highlighting of walls, surfaces and tight coves.



ACTIVE-THERMAL MANAGEMENT



PATENTED OPTICS



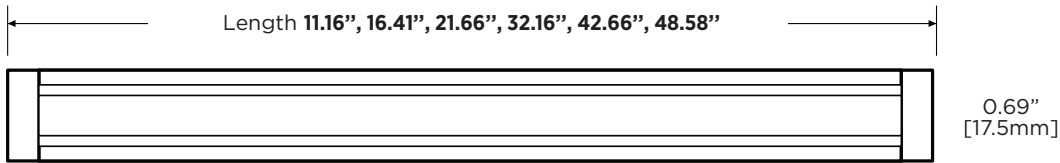
ALUMINUM HOUSING



WATERPROOF

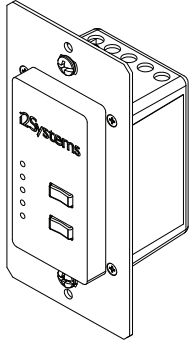
▶ LED MODULE DIMENSIONS

Available in 6 lengths "A":



▶ DIMMING CONTROL

LightLink: LL-205-10V

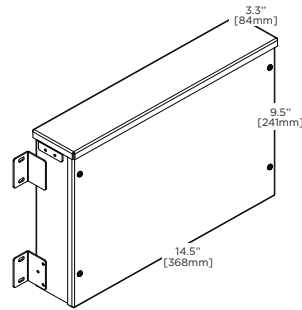


Indoor Dimming Cable: 685-01561-100

Outdoor Dimming Cable: 685-02026-100

▶ POWER BOXES

75W Power Box*: E05PW 75W



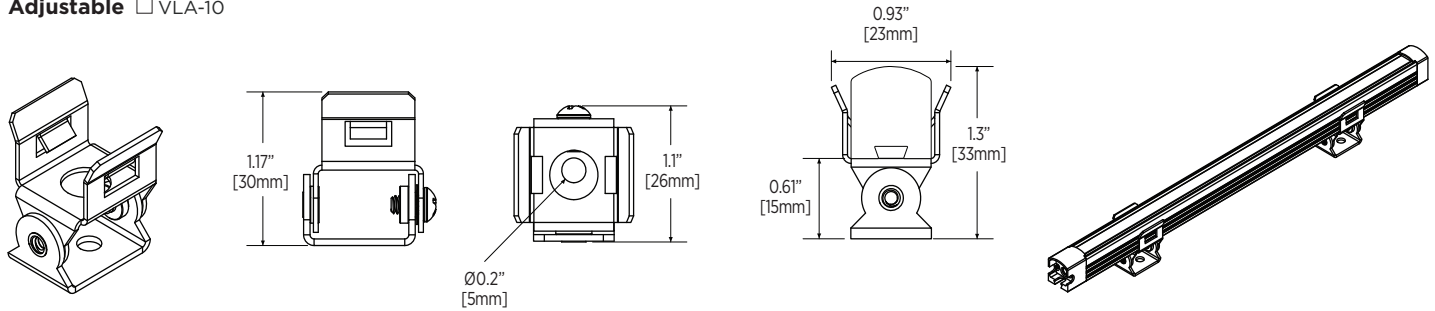
*Powers up to 12 Ft of Gen4



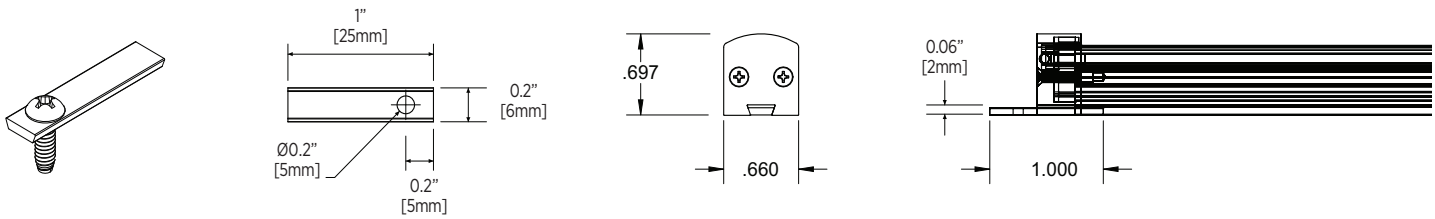
▶ **SELECT ONE OPTION**

▶ **BRACKETS**

Adjustable VLA-10



Fixed L Clip VLA-6



Fixed U Clip VLA-11

