

TYPE:

i2Systems
ADVANCED LED LIGHTING

RUNWAY[®]
Cove System

WARM DIM

FEATURES & BENEFITS

- HIGH COLOR QUALITY**
92+ CRI
- 4 PART OPTICAL SYSTEM**
Provides smooth, even illumination in near to surface applications
- MULTIPLE BEAMS**
For Grazing, Washing, Accent and General Illumination
- SMOOTH DIMMING TO 0.1%**
- PLUG & PLAY**
120-277 VAC, 6" Increments

- DIMTOWARM**
Traditional warm glow on dimming.
- SUNSET-DIM**
Programmed to mimic a warm glowing sunset upon low-level dimming.
- DIMCANDESCENT**
Pre-programmed to match the color and warm dimming of an incandescent bulb. 2700K only.

PERFORMANCE

3000K LUMEN DATA

System Watts/ Ft	Delivered Lumens/Ft
	92+ CRI
5	432
6	556
7	680
8	834
9	941
10	976
11	1060
12	1227

LUMEN FACTOR

Output Factors	
CCT	Multiplier
2700K	0.96
3000K	0.00
3500K	1.05

MAX RUN/FEED

Watts	Max. Run Length	
	120VAC	277VAC
5	88Ft	108Ft
6	80Ft	100Ft
7	72Ft	96Ft
8	64Ft	88Ft
9	56Ft	84Ft
10	52Ft	80Ft
11	48Ft	76Ft
12	44Ft	72Ft

Lumens per foot based on a 4', 120° beam LED module @3000K.



[DOWNLOAD IES FILES](#)

[DOWNLOAD STATIC WHITE SPEC](#)

[DOWNLOAD TUNABLE SPEC](#)

SPECIFICATION CODE BUILDER

EXAMPLE: R-08W-30K-H-16-QT-L

Series	Power	CCT 1	Color Quality	Optics	Mounting	Controls	Technology
R							
	05W	27K - 2700K	H - High (92+)	16 - 10° x 60°	QT - Quicktrack	V - 0-10V	DC - Dimcandescent™ 27K Only
	06W	30K - 3000K		36 - 30° x 60°	GA - Gypsum Angled Washer / Grazer	L - Lutron Ecosystem**	SD - Sunset-Dim™
	07W	35K - 3500K		66 - 60° x 60°	GG - Gypsum Grazer		DW - DimtoWarm
	08W			0 - 120°*			
R RUNWAY	09W						Geometry Direction
	10W						Straight
	11W						L- Shape
	12W						U-Shape
							Sq. / Rect.
							Custom
							**10W maximum

WarmDim Technologies



Traditional warm glow on dimming.

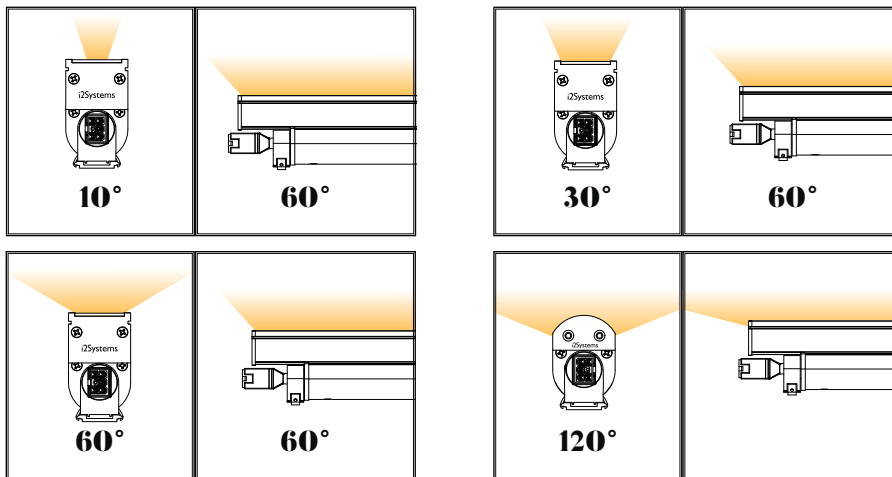


Programmed to mimic a warm glowing sunset upon low-level dimming.



Pre-programmed to match the color and warm dimming of an incandescent bulb. **2700K only.**

LED Module Beam Angles



Lumen Performance Data

Delivered Lumens Per Foot

10 X 60		30 X 60		60 X 60		120	
WATTS	92 CRI	92 CRI	92 CRI	92 CRI	92 CRI	92 CRI	92 CRI
2	103	121	135	158			
3	174	205	229	269			
4	221	266	297	348			
5	303	330	369	433			
6	376	424	475	556			
7	446	518	580	679			
8	534	636	711	834			
9	607	718	803	941			
10	680	783	875	976			
11	746	809	904	1060			
12	813	936	1047	1227			

Lumens per foot based on a 4', 120° beam LED module @3000K.

Color Quality

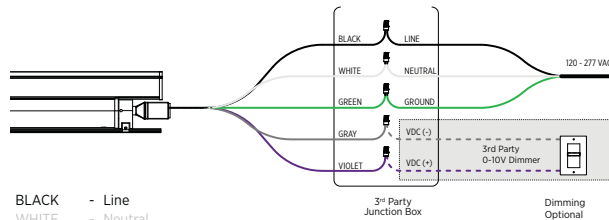
HIGH CRI 92+

Color Temp	Ra	R1	R2	R3	R4	R5	R6	R7	R8	R9	R10	R11	R12	R13	R14	R15
1850K	85	85	95	93	81	85	97	81	63	32	90	82	92	87	97	78
2000K	95	94	96	97	91	92	91	98	99	97	94	84	84	94	97	98
2200K	93	93	97	99	93	93	98	91	80	60	93	95	95	94	99	88
2700K	93	93	97	99	93	93	96	93	83	64	92	94	89	94	99	90
3000K	92	92	94	96	93	92	93	93	84	63	87	94	86	92	97	89
3500K	93	93	95	95	94	93	92	95	87	69	87	94	82	93	97	91
4000K	91	91	93	94	92	91	90	94	87	64	83	92	78	91	96	89
4500K	93	93	94	94	93	92	90	95	89	71	85	92	73	93	97	92
5000K	94	94	94	93	94	93	91	96	93	78	86	94	75	94	96	93
5700K	92	94	92	90	93	93	88	93	93	79	81	93	76	93	94	94
6500K	93	93	93	91	94	93	88	95	93	78	83	93	71	93	95	93

Wiring Diagrams

Lumens Performance Data

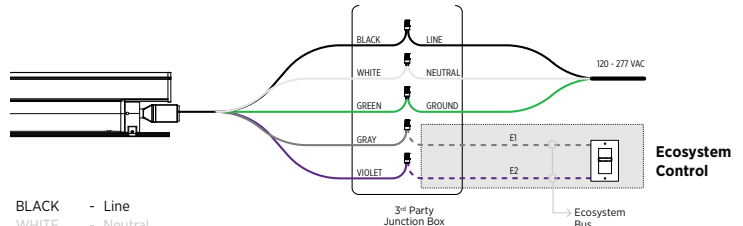
V | 0-10V



BLACK - Line
 WHITE - Neutral
 GREEN - Ground
 GRAY - Dimming (-)
 VIOLET - Dimming (+)

Lumen data from a 3000K LED Module

L | LUTRON® EcoSystem®



BLACK - Line
 WHITE - Neutral
 GREEN - Ground
 GRAY - Dimming (-)
 VIOLET - Dimming (+)

LED Modules for LUTRON® EcoSystem® dimming are only offered in lengths of 18" & 48".

LED Module Technical Properties

T TEMPERATURE
 Operating/Storage:
 (-20°C) - (+40°C)

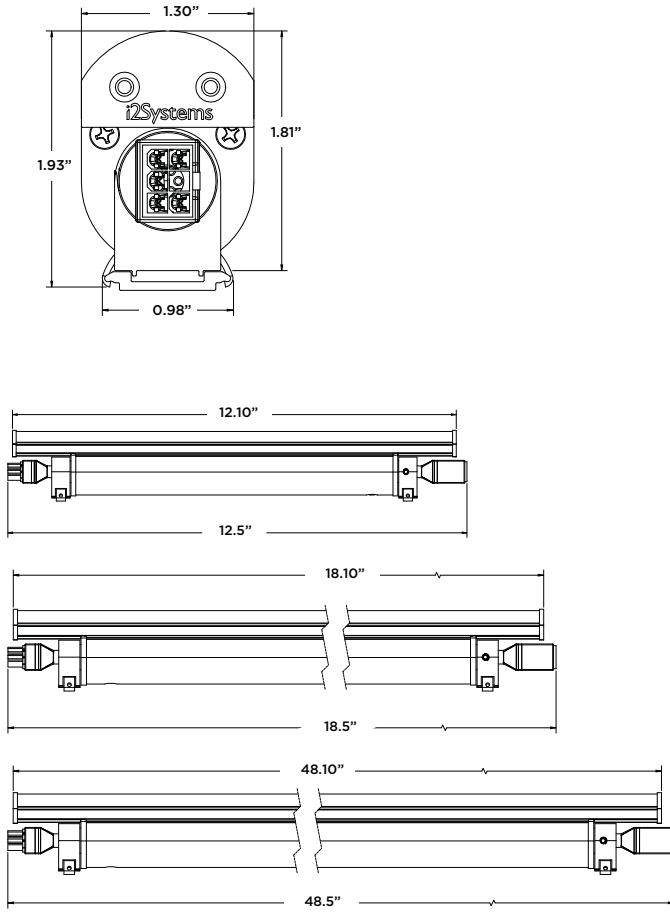
L LIFE:
 60,000hrs to L70

IP PROTECTION:
IP50, Damp rated,
 interior use only

V INPUT VOLTAGE:
 120-277V AC 60 Hz

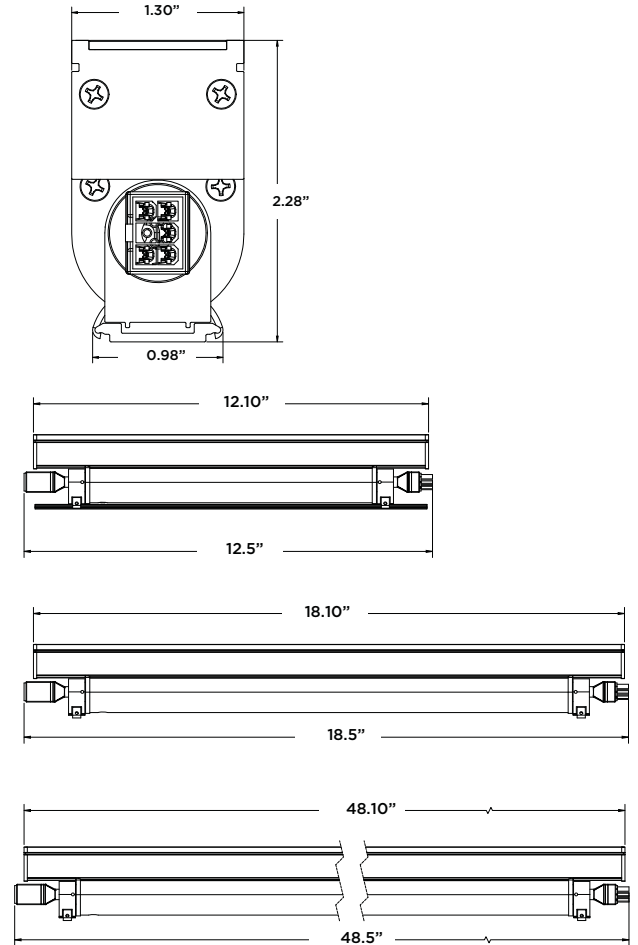
H HOUSING:
 Aluminum

LED Module Dimensions
120°



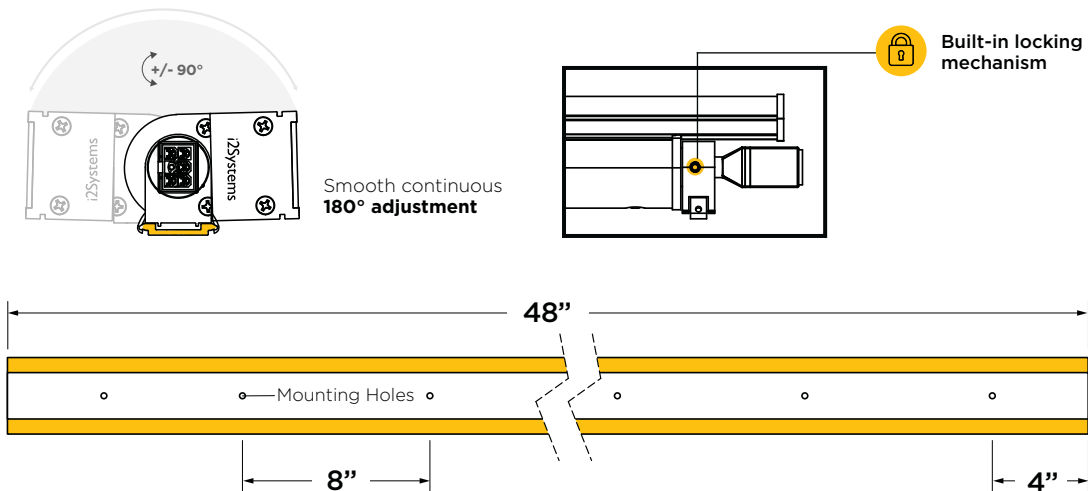
OTHER OPTICS

10° X 60°, 30° X 60°, 60° X 60°



Track / Surface Mountings Systems

QT | Quick Track

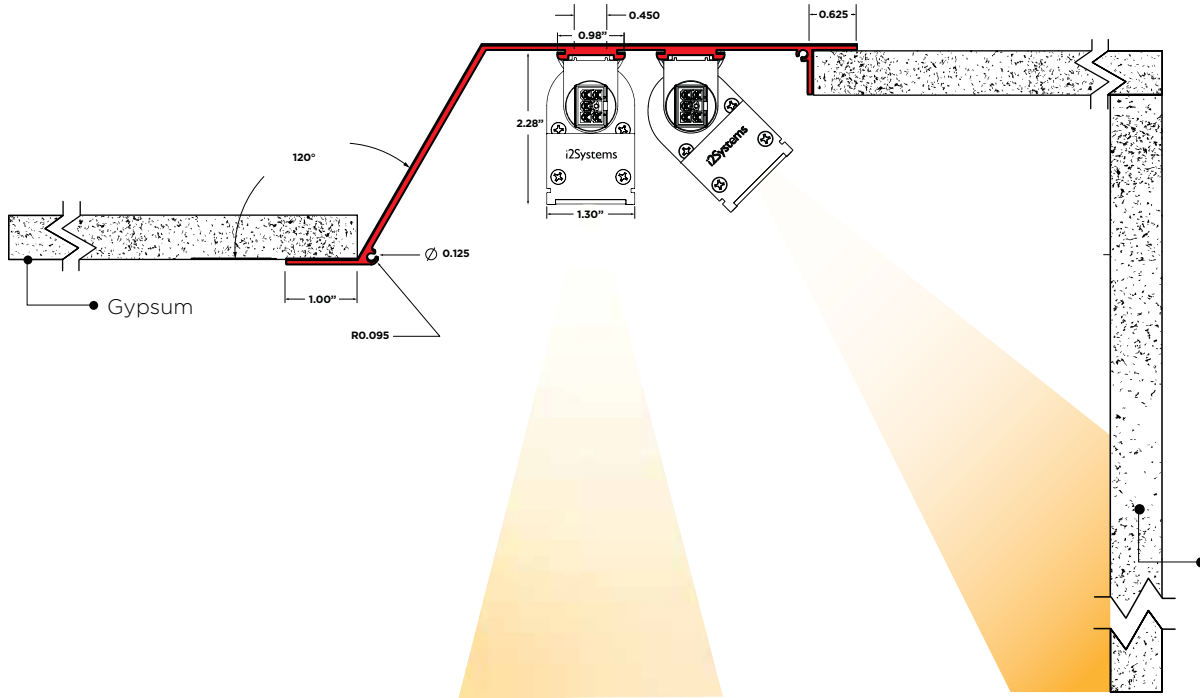


Recessed Mounting Systems

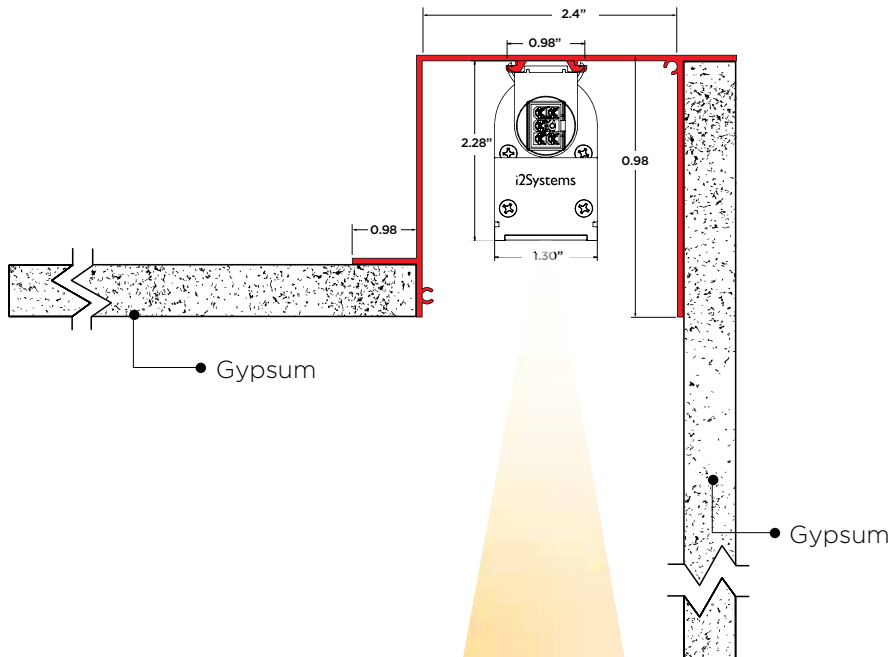


*Extrusions provided unfinished and **unpainted**.
Mud-in systems ship with seam filler for a seamless install.

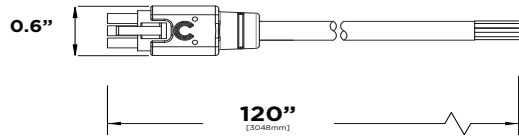
GA | Gypsum Angled Washer/Grazer



GR | Gypsum Grazer

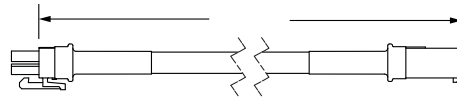


Power Input



Jumper Cable

- R-EXT-6 6"
- R-EXT-36 36"



LED MODULE Certifications



LED Module Inrush Current

UNIT	@277VAC	@120VAC
12"	3.2A	1.4A
18"	3.2A	1.4A
48"	6.3A	2.8A