





RUNWAY[®]
Cove System

STATICWHITE

FEATURES & BENEFITS

-  **HIGH COLOR QUALITY**
92+ CRI
-  **MULTIPLE BEAMS**
For Grazing, Washing, Accent, and General Illumination
-  **4 PART OPTICAL SYSTEM**
Provides striation-free, even illumination in near to surface applications
-  **SMOOTH DIMMING TO 0.1%**
-  **PLUG & PLAY**
120-277 VAC, 6" Increments

PERFORMANCE

3000K LUMEN DATA

System Watts/ Ft	Delivered Lumens/ Ft
	92+ CRI
2	159
3	269
4	348
5	432
6	556
7	680
8	834
9	941
10	976
11	1060
12	1227

LUMEN FACTOR

Output Factors	
CCT	Multiplier
1850K	0.70
2000K	0.70
2200K	0.81
2500K	0.86
2700K	0.96
3000K	1.00
3500K	1.05
4000K	1.05
4500K	1.05
4500K	1.05
5700K	1.05
6500K	1.05

MAX RUN/FEED

Watts POWER	Max. Run Length	
	120VAC	277VAC
2	144Ft	144Ft
3	120Ft	124Ft
4	108Ft	120Ft
5	92Ft	108Ft
6	80Ft	100Ft
7	72Ft	96Ft
8	64Ft	88Ft
9	56Ft	84Ft
10	52Ft	80Ft
11	48Ft	78Ft
12	44Ft	76Ft

Lumens per foot based on a 4', 120° beam LED module @3000K.




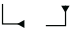


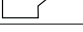
[DOWNLOAD IES FILES](#)

[DOWNLOAD TUNABLE SPEC](#)

[DOWNLOAD WARM-DIM SPEC](#)

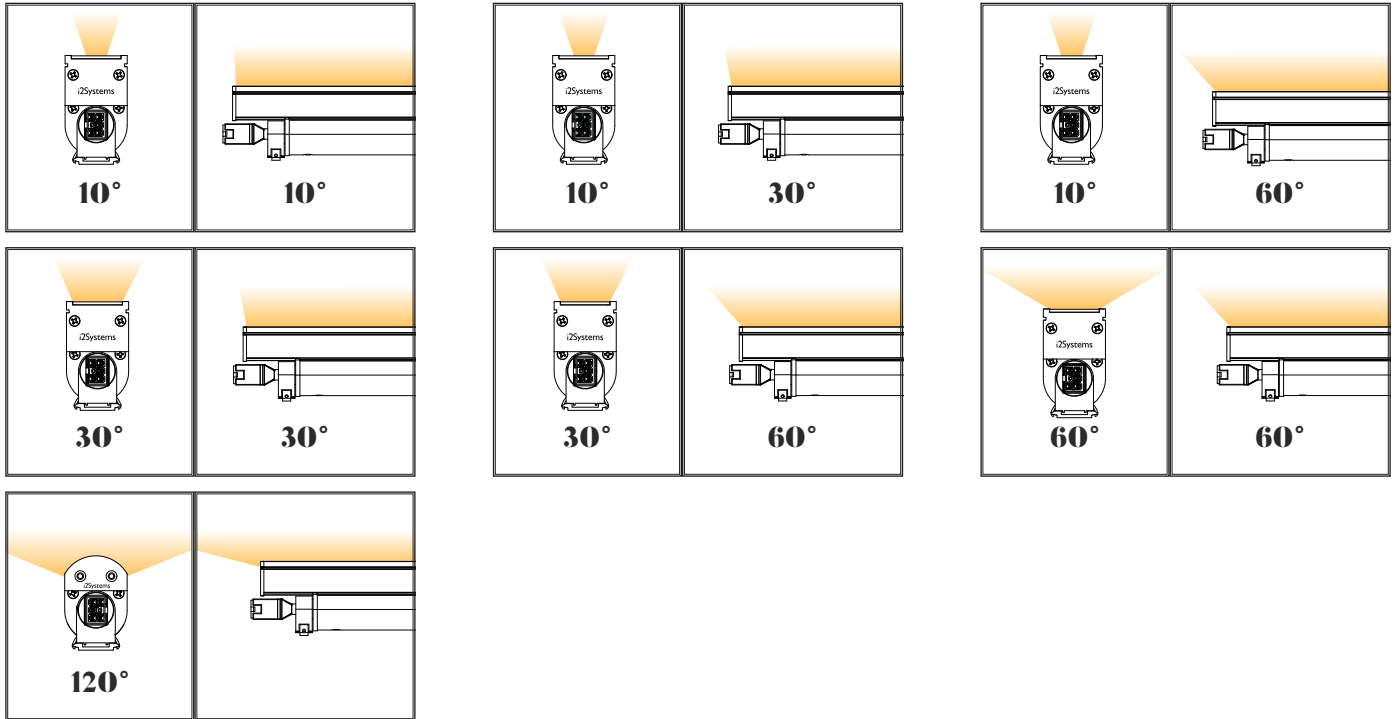
SPECIFICATION CODE BUILDER

EXAMPLE: R-08W-30K-H-16-QT-L

Series	Power	CCT	Color Quality	Optics	Mounting	Controls
R						
	02W	18K - 1850K †	H - High (92+)	11 - 10° x 10°	QT - Quicktrack	V - 0-10V
	03W	20K - 2000K		13 - 10° x 30°	GA - Gypsum Angled Washer / Grazer	L - Lutron Ecosystem*
	04W	22K - 2200K		16 - 10° x 60°	GG - Gypsum Grazer	
	05W	27K - 2700K		33 - 30° x 30°		
	06W	30K - 3000K		36 - 30° x 60°		Geometry Direction
R RUNWAY	07W	35K - 3500K		66 - 60° x 60°		Straight 
	08W	40K - 4000K		0 - 120°***		L-Shape 
	09W	45K - 4500K				U-Shape 
	10W	50K - 5000K				Sq. / Rect. 
	11W	57K - 5700K				Custom 
	12W	65K - 6500K				

**10W maximum †1850 Available in 10° x 60°, 30° x 60°, 60° x 60°, and 120°

LED Module Beam Angles



Lumen Performance Data

Delivered Lumens Per Foot

	10 X 10	10 X 30	10 X 60	30 X 30	30 X 60	60 X 60	120
WATTS	92 CRI	92 CRI	92 CRI	92 CRI	92 CRI	92 CRI	92 CRI
2	100	107	103	116	121	135	158
3	184	182	174	203	205	229	269
4	217	231	221	257	266	297	348
5	298	321	303	356	330	369	433
6	382	396	376	440	424	475	556
7	454	472	446	525	518	580	679
8	541	568	534	614	636	711	834
9	613	641	607	716	718	803	941
10	693	715	680	786	783	875	976
11	751	786	746	861	809	904	1060
12	904	855	813	950	936	1047	1227

Lumens per foot based on a 4', 120° beam LED module @3000K.

LED Module Technical Properties

T TEMPERATURE
Operating/Storage:
(-20°C) - (+40°C)

IP PROTECTION:
IP50, Damp rated,
interior use only

H HOUSING:
Aluminum

W WEIGHT:
12": 0.87lb.
18": 1.31lb.
48": 3.10lb.

L LIFE:
60,000hrs to L70

V INPUT VOLTAGE:
120-277V AC 60 Hz

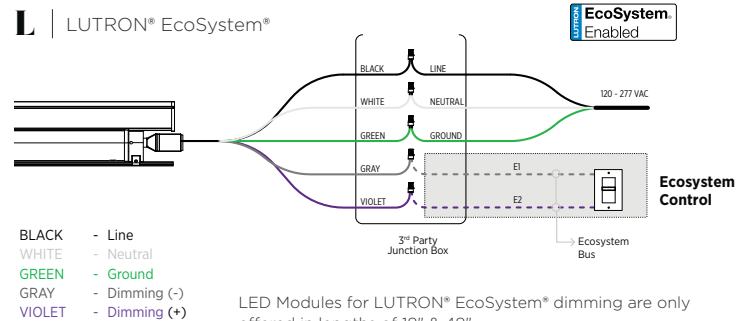
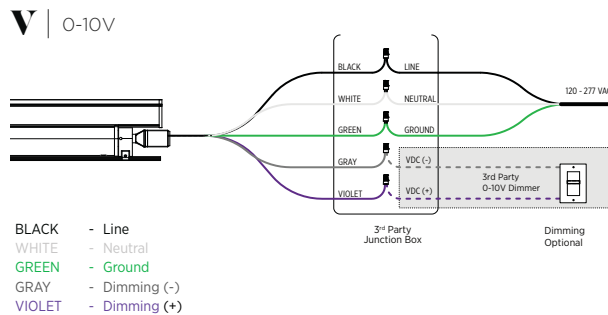
COLOR QUALITY

R Values

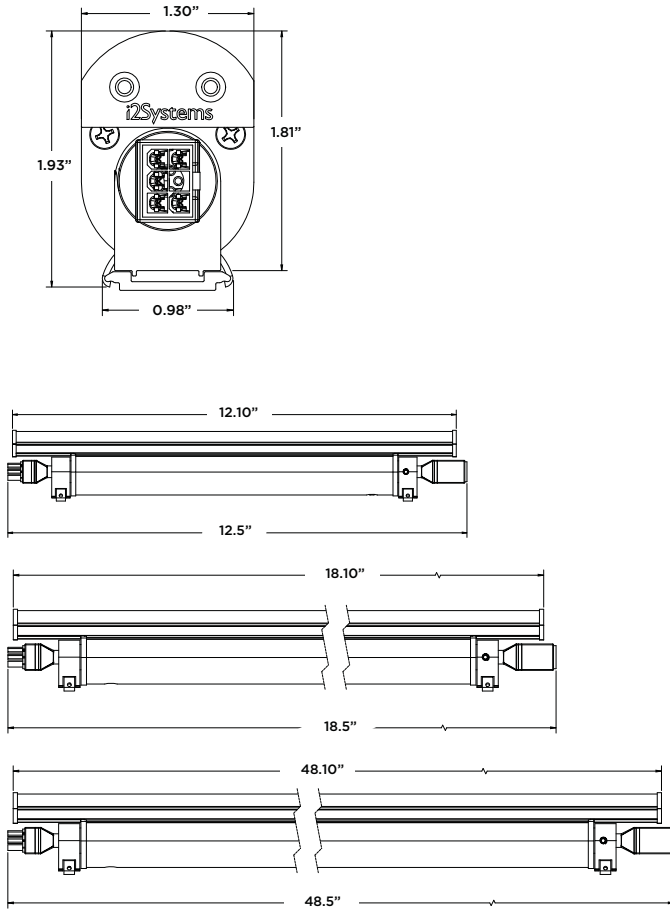
HIGH CRI 92+

Color Temp	Ra	R1	R2	R3	R4	R5	R6	R7	R8	R9	R10	R11	R12	R13	R14	R15
1850K	85	85	95	93	81	85	97	81	63	32	90	82	92	87	97	78
2000K	95	94	96	97	91	92	91	98	99	97	94	84	84	94	97	98
2200K	93	93	97	99	93	93	98	91	80	60	93	95	95	94	99	88
2700K	93	93	97	99	93	93	96	93	83	64	92	94	89	94	99	90
3000K	92	92	94	96	93	92	93	93	84	63	87	94	86	92	97	89
3500K	93	93	95	95	94	93	92	95	87	69	87	94	82	93	97	91
4000K	91	91	93	94	92	91	90	94	87	64	83	92	78	91	96	89
4500K	93	93	94	94	93	92	90	95	89	71	85	92	73	93	97	92
5000K	94	94	94	93	94	93	91	96	93	78	86	94	75	94	96	93
5700K	92	94	92	90	93	93	88	93	93	79	81	93	76	93	94	94
6500K	93	93	93	91	94	93	88	95	93	78	83	93	71	93	95	93

Wiring Diagrams

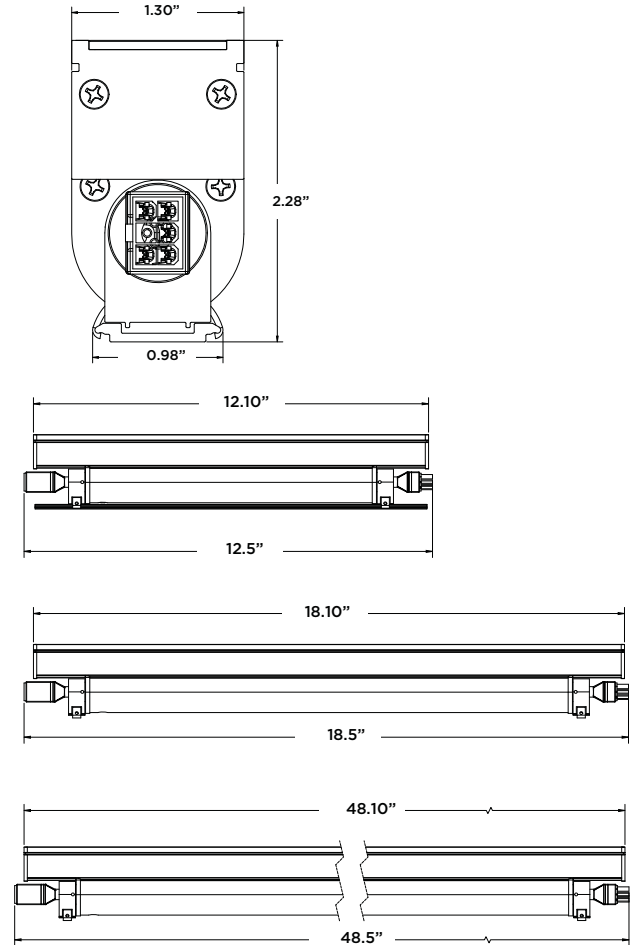


LED Module Dimensions
120°



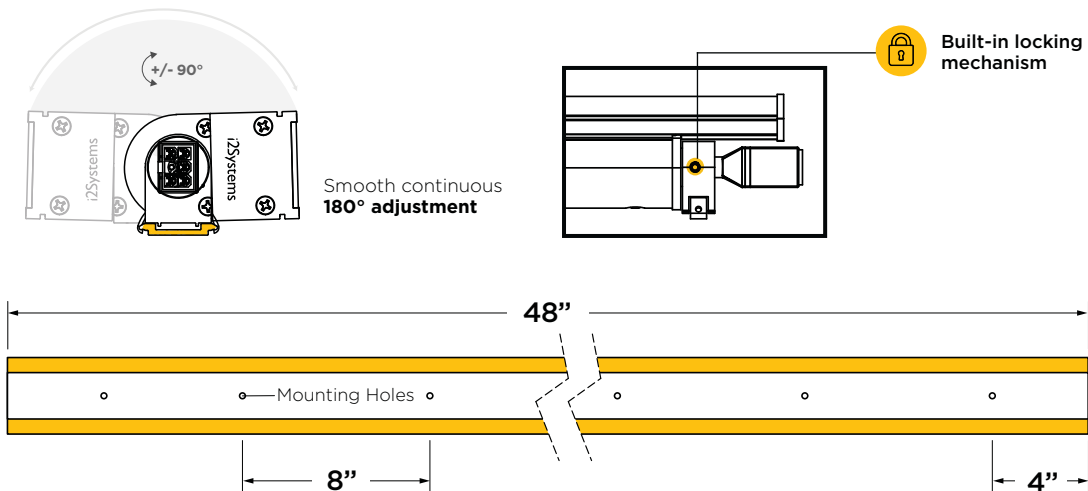
OTHER OPTICS

10° X 60°, 30° X 60°, 60° X 60°



Track / Surface Mountings Systems

QT | Quick Track

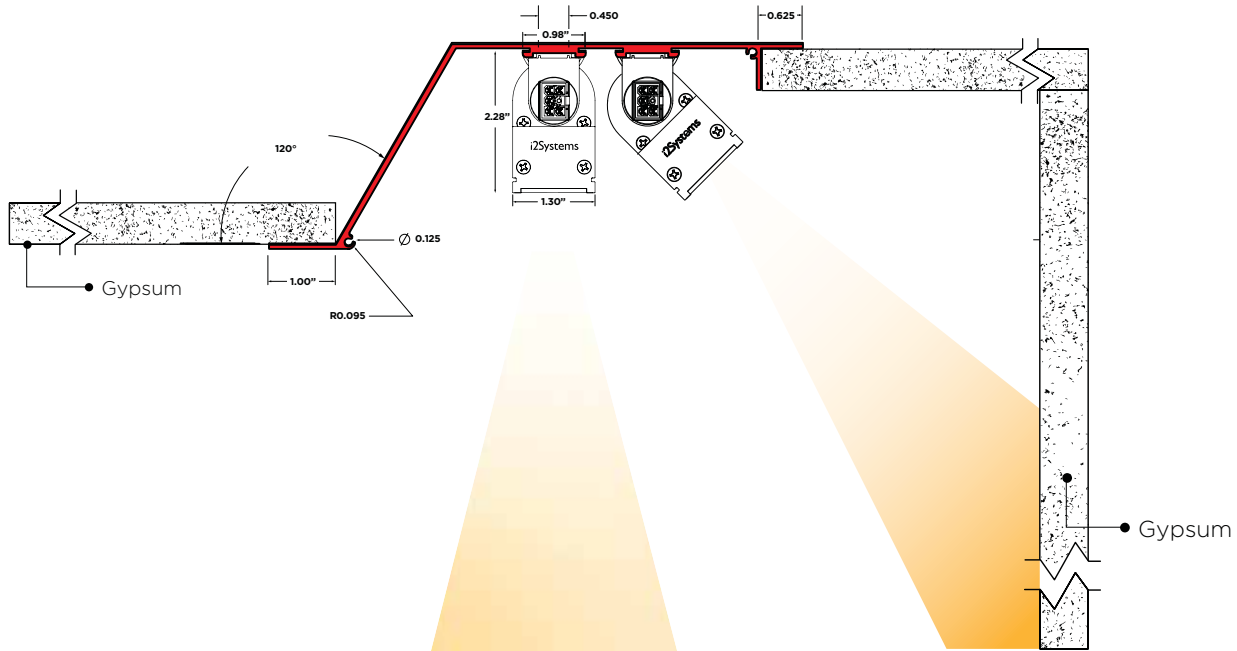


Recessed Mountings Systems

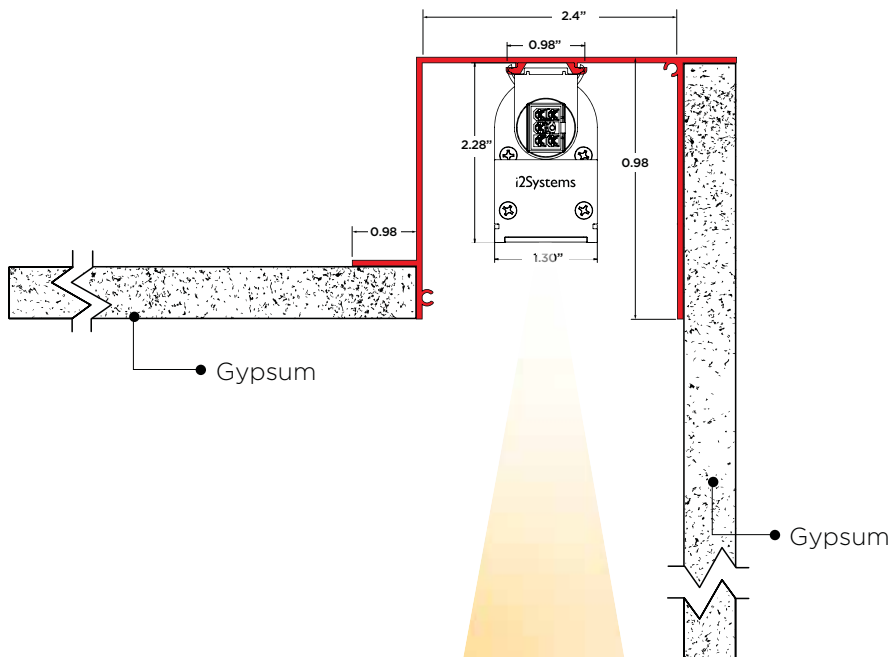


*Extrusions provided unfinished and **unpainted**.
Mud-in systems ship with seam filler for a seamless install.

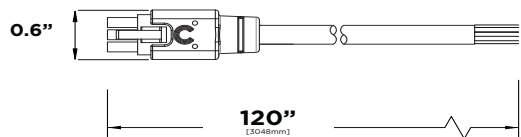
GA | Gypsum Angled Washer/Grazer



GR | Gypsum Grazer

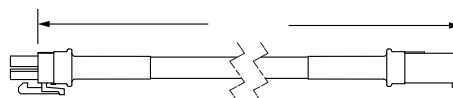


Power Input



Jumper Cable

- R-EXT-6 6"
- R-EXT-36 36"



LED MODULE Certifications



LED Module Inrush Current

UNIT	@277VAC	@120VAC
12"	3.2A	1.4A
18"	3.2A	1.4A
48"	6.3A	2.8A