



# AT1S™

The AT1S™ is an IP67 miniature LED step light available with either snap-in or screw-mount installation. The asymmetric beam angle and wide lateral throw provide even illumination across step and path surfaces.



GLARE FREE



WATERPROOF



DIMMABLE



## ▶ FEATURES

- 1% Low-Level Flicker Free Dimming. Requires LightLink dimming module.
- Active Thermal Management Monitors Fixture Case Temperature and Discreetly Dims Fixture Upon Signs of Possible Overheat.
- Down-angled asymmetric beam with washboard eliminates glare.
- Flexible mounting conditions: Snap & Screw mounts.
- Actively Managed ANSI Sub-Binning to Ensure Accurate and Consistent Color Matching for Each Fixture.

## ▶ PHYSICAL

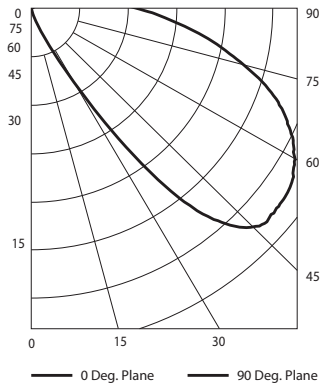
- ADC12 Aluminum alloy body & Mil-Spec Powder-Coated stainless steel trim bezel.
- Weight:
- Protection Rating: IP67
- Warranty: 3 Years

## ▶ ELECTRICAL SPECIFICATIONS

<b>Input Voltage</b>	9-30V DC, 9-15V AC (Use )
<b>Input Power</b>	1.5 Watts Typ, 2.5 Watts Max
<b>LED Driver</b>	E11
<b>Temperature</b>	-20°C to 40°C
<b>Dimming</b>	1% via 0 - 10 VDC (Use LL-205)
<b>Life</b>	60,000 hours to L70

## ▶ PERFORMANCE

POLAR PLOT **Asymmetric Beam Angle**



All results are according to **IESNA LM-79-2008**: Approved Method for the Electrical and Photometric Testing of Solid-State Lighting.



## ▶ SPECIFICATION CODE BUILDER

Product	Color	Mounting	Bezel Style	Finish
<b>AT1S</b>				
	<b>20K</b> - 2000K	<b>SP</b> - Snap Mount	<b>AC</b> - Architectural Circle	<b>PC</b> - Polished Chrome
	<b>22K</b> - 2200K	<b>SW</b> - Screw Mount	<b>AO</b> - Architectural Oval	<b>PG</b> - Polished Gold
	<b>27K</b> - 2700K		<b>AR</b> - Architectural Rectangle	<b>BN</b> - Brushed Nickel
	<b>30K</b> - 3000K		<b>AS</b> - Architectural Square	<b>BZ</b> - Bronze
	<b>35K</b> - 3500K			<b>MW</b> - Matte White
	<b>40K</b> - 4000K			<b>MB</b> - Matte Black
	<b>50K</b> - 5000K			
	<b>65K</b> - 6500K			
	<b>GRN</b> - Green			
	<b>BLU</b> - Blue			
	<b>RED</b> - Red			

AT1S



Integrated Illumination Systems, Inc.  
355 Bantam Lake Road  
Morris, CT 06763 USA

tel +1.860.567.0708  
sales@i2systems.com

Product information is subject to change without notice.  
All brand names and product names are trademarks of i2Systems.  
© 2018 i2Systems. All Rights Reserved.

[www.i2systems.com](http://www.i2systems.com)  
RevB  
Page 1 of 3

# i2 | AT1S™

The AT1S™ is an IP67 miniature LED step light available with either snap-in or screw-mount installation. The asymmetric beam angle and wide lateral throw provide even illumination across step and path surfaces.



GLARE FREE



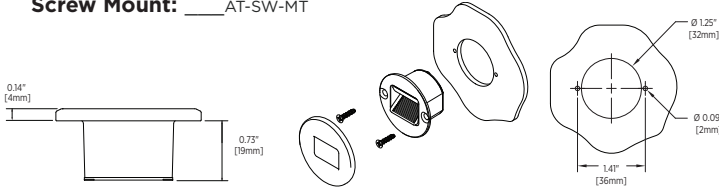
WATERPROOF



DIMMABLE

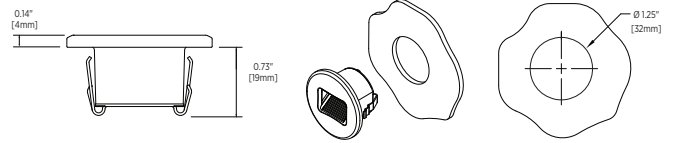
## ► MOUNTING OPTIONS

**Screw Mount:** \_\_\_AT-SW-MT



## ► MOUNTING OPTIONS

**Snap Mount:** \_\_\_AT-SP-MT



## ► BEZEL PLATE PART CODE

Use this table to specify bezel plates separately.

**Example:** \_\_\_AT1-BZL-AC-PC

AT1S, BEZEL, ARCHITECTURAL CIRCLE, POLISHED CHROME

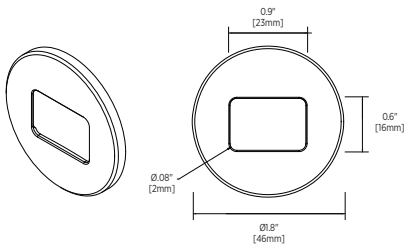
Product	Bezel Style	Finish
AT	AC - Architectural Circle	PC - Polished Chrome
	AO - Architectural Oval	PG - Polished Gold
	AR - Architectural Rectangle	BN - Brushed Nickel
	AS - Architectural Square	BZ - Bronze
		MW - Matte White
		MB - Matte Black



ARCHITECTURAL BEZEL

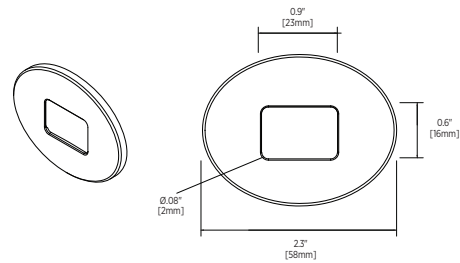
## ► CIRCLE BEZEL

\_\_\_AT-BZL-AC-XX



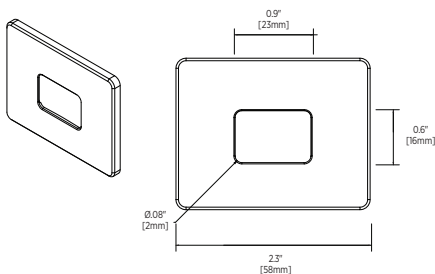
## ► OVAL BEZEL

\_\_\_AT-BZL-AO-XX



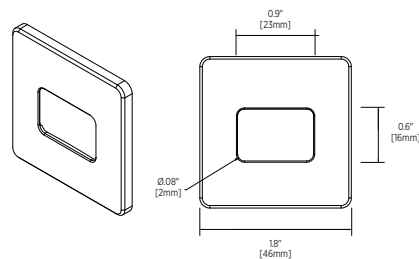
## ► RECTANGLE BEZEL

\_\_\_AT-BZL-AR-XX



## ► SQUARE BEZEL

\_\_\_AT-BZL-AS-XX



Integrated Illumination Systems, Inc.  
355 Bantam Lake Road  
Morris, CT 06763 USA

tel +1.860.567.0708  
sales@i2systems.com

Product information is subject to change without notice.  
All brand names and product names are trademarks of i2Systems.  
© 2018 i2Systems. All Rights Reserved.

[www.i2systems.com](http://www.i2systems.com)  
RevB  
Page 2 of 3



# AT1S™

The AT1S™ is an IP67 miniature LED step light available with either snap-in or screw-mount installation. The asymmetric beam angle and wide lateral throw provide even illumination across step and path surfaces.



GLARE FREE



WATERPROOF



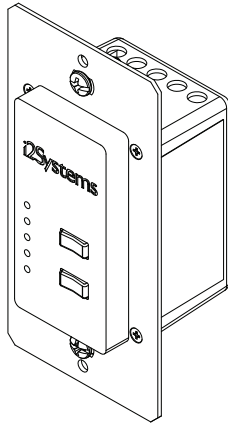
DIMMABLE

## ▶ DIMMING CONTROL

LightLink: \_\_\_LL-205-10V

Indoor Dimming Cable: \_\_\_I

Outdoor Dimming Cable: \_\_\_O

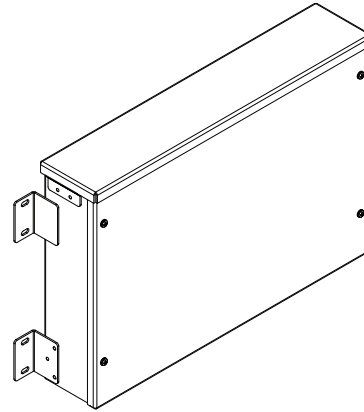


## ▶ POWER BOXES

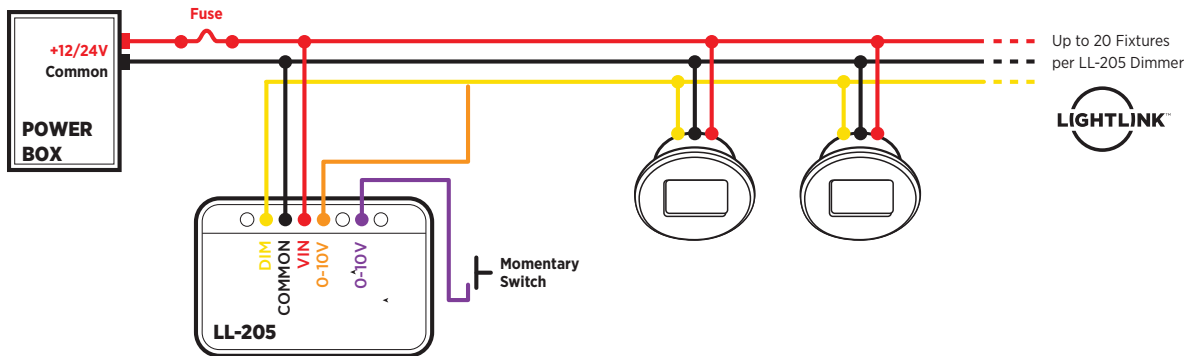
E05PW 75W: \_\_\_PS24V75W

E10PW 280W: \_\_\_PS30V280W

E10PW 560W\*: \_\_\_PS30V560\*\*dual output

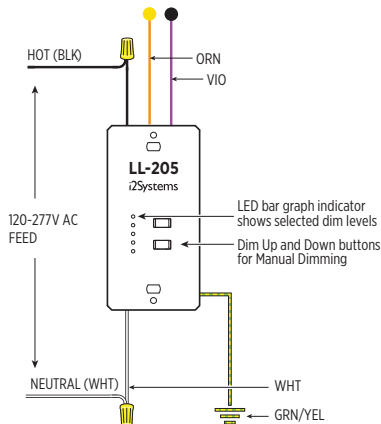


## ▶ AT1S WIRING DIAGRAM

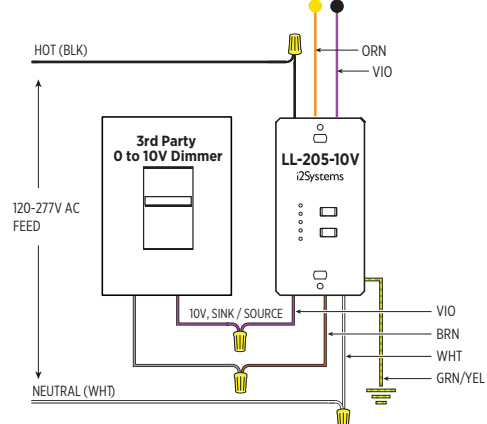


**DIMMING OPERATION REQUIRES USE OF LL-205 DIMMING MODULE. CONNECT ORANGE TO YELLOW / VIOLET TO BLACK.**

### PUSH BUTTON DIMMING



### 0-10V DIMMING



Integrated Illumination Systems, Inc.  
355 Bantam Lake Road  
Morris, CT 06763 USA

tel +1.860.567.0708  
sales@i2systems.com

Product information is subject to change without notice.  
All brand names and product names are trademarks of i2Systems.  
© 2018 i2Systems. All Rights Reserved.

[www.i2systems.com](http://www.i2systems.com)  
RevB  
Page 3 of 3