



AT1S™

The AT1S™ is an IP67 miniature LED step light available with either snap-in or screw-mount installation. The asymmetric beam angle and wide lateral throw provide even illumination across step and path surfaces.



GLARE FREE



WATERPROOF



DIMMABLE



▶ FEATURES

- 1% low-level flicker free dimming. Requires LightLink dimming module.
- Active Thermal Management monitors fixture case temperature and discreetly dims fixture upon signs of possible overheat.
- Down-angled asymmetric beam with washboard eliminates glare.
- Flexible mounting conditions: snap & screw mounts.
- Actively managed ANSI sub-binning to ensure accurate and consistent color matching for each fixture.

▶ PHYSICAL

- ADC12 aluminum alloy body & mil-spec powder-coated stainless steel trim bezel.
- Weight: 0.15lbs
- Protection Rating: IP67
- Warranty: 3 Years

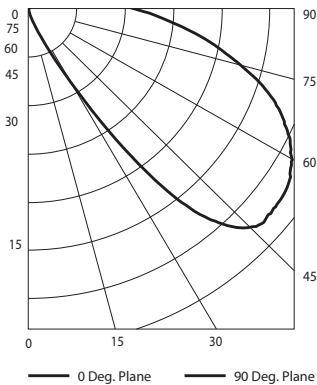
▶ ELECTRICAL SPECIFICATIONS

Input Voltage	24VDC
Input Power	1.5 Watts Typ
LED Driver	E05PW 75W
Temperature	-20°C to 40°C
Dimming	1% via 0 - 10 VDC (Use LL-205)
Life	60,000 hours to L70



▶ PERFORMANCE

POLAR PLOT Asymmetric Beam Angle



28.5 Delivered Lumens
All results are according to **IESNA LM-79-2008**: Approved method for the electrical and photometric testing of solid-state lighting.

▶ PART CODE BUILDER

Product	Color	Mounting	Bezel Style	Finish
AT1S	20K - 2000K	SP - Snap Mount	AC - Architectural Circle	PC - Polished Chrome
	22K - 2200K	SW - Screw Mount	AO - Architectural Oval	PG - Polished Gold
	27K - 2700K		AR - Architectural Rectangle	BN - Brushed Nickel*
	30K - 3000K		AS - Architectural Square	BZ - Bronze
	35K - 3500K		SC - Soft Circle	MW - Matte White
	40K - 4000K		SO - Soft Oval	MB - Matte Black
	50K - 5000K		SR - Soft Rectangle	
	57K - 5700K		SS - Soft Square	
	65K - 6500K			
	GRN - Green			
	BLU - Blue			
	RED - Red			
	ABR - Amber			

AT1S

+ To Purchase Bezel or Engine Separately, Contact Factory

* For Soft Bezel Only



Integrated Illumination Systems, Inc.
355 Bantam Lake Road
Morris, CT 06763 USA

tel +1.860.567.0708
sales@i2systems.com

Product information is subject to change without notice.
All brand names and product names are trademarks of i2Systems.
© 2019 i2Systems. All Rights Reserved.

www.i2systems.com
RevF
Page 1 of 4

i2 | AT1S™

The AT1S™ is an IP67 miniature LED step light available with either snap-in or screw-mount installation. The asymmetric beam angle and wide lateral throw provide even illumination across step and path surfaces.



GLARE FREE



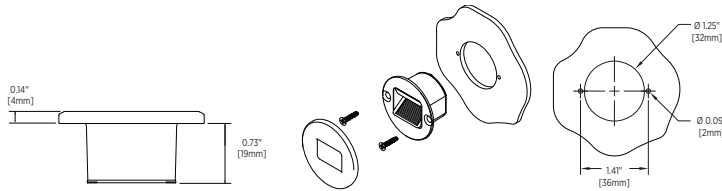
WATERPROOF



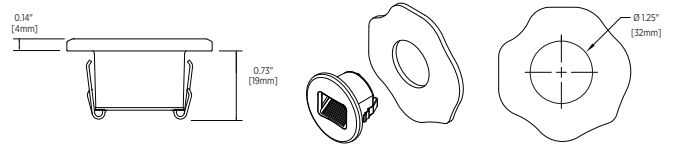
DIMMABLE

► MOUNTING OPTIONS

Screw Mount:



Snap Mount:

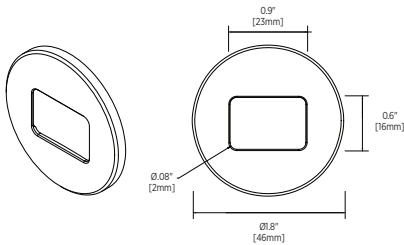


► BEZEL STYLES

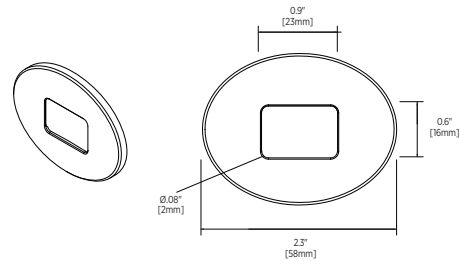


Architectural bezels are machined stainless steel and come in multiple styles and finishes.

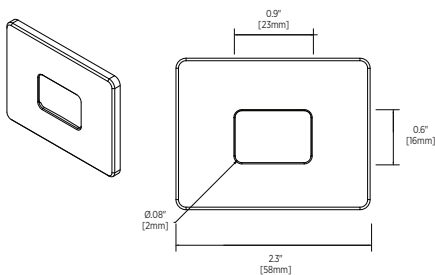
► CIRCLE BEZEL



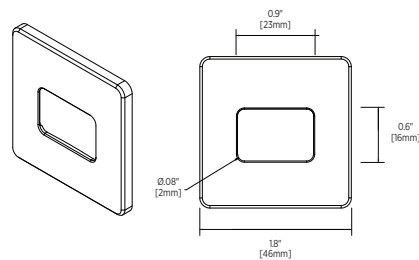
► OVAL BEZEL



► RECTANGLE BEZEL



► SQUARE BEZEL





AT1S™

The AT1S™ is an IP67 miniature LED step light available with either snap-in or screw-mount installation. The asymmetric beam angle and wide lateral throw provide even illumination across step and path surfaces.



GLARE FREE



WATERPROOF



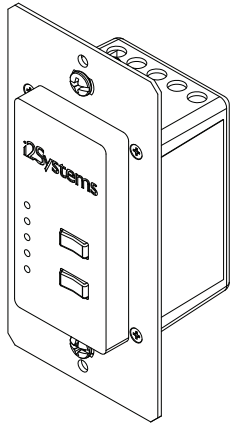
DIMMABLE

▶ DIMMING CONTROL

LightLink: ___LL-205-10V

Indoor Dimming Cable: ___685-01561-100

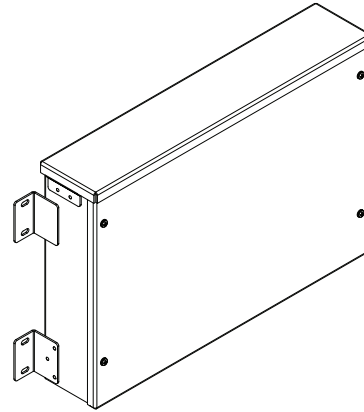
Outdoor Dimming Cable: ___685-02026-100



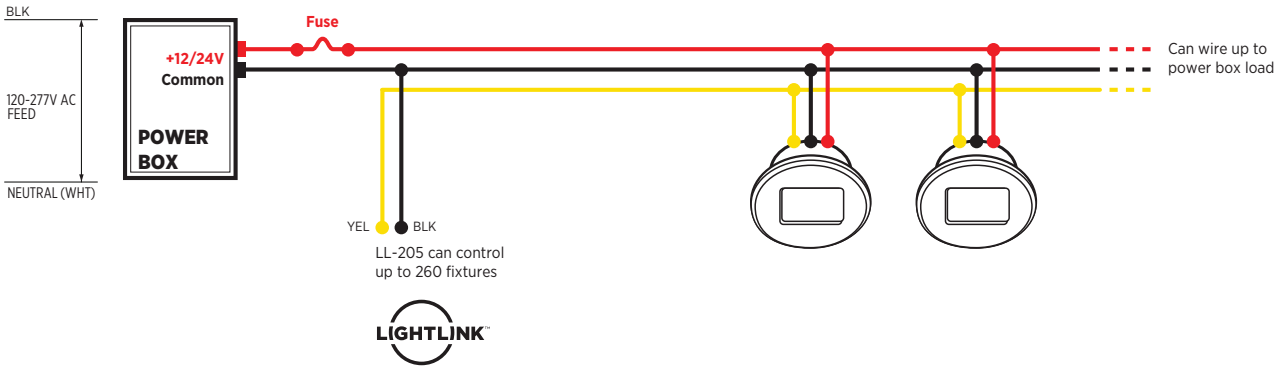
▶ POWER BOXES

E05PW 75W: ___PS24V75W

Compatible with 3rd party power supply. Contact factory.

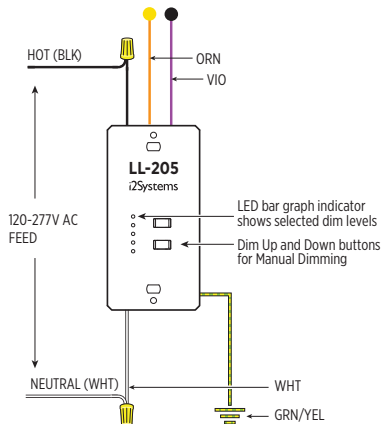


▶ AT1S WIRING DIAGRAM

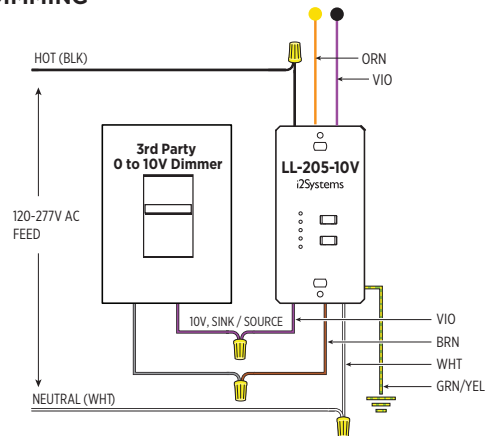


DIMMING OPERATION REQUIRES USE OF LL-205 DIMMING MODULE. CONNECT ORANGE TO YELLOW / VIOLET TO BLACK.

PUSH BUTTON DIMMING



0-10V DIMMING





AT1S™

The AT1S™ is an IP67 miniature LED step light available with either snap-in or screw-mount installation. The asymmetric beam angle and wide lateral throw provide even illumination across step and path surfaces.



GLARE FREE



WATERPROOF



DIMMABLE

► NEC COMPLIANT FOR EGRESS PATH

The AT1S LED module is designed to focus light down onto the pathway, with almost the entirety of its beam below the 90° horizon line. Wall mounted at 1Ft high and 3.5' OC spacing, AT1S can provide adequate emergency lighting for a 3Ft wide egress path.

