



# AT1S™

The AT1S™ is an IP67 miniature LED step light available with either snap-in or screw-mount installation. The asymmetric beam angle and wide lateral throw provide even illumination across step and path surfaces.



GLARE FREE



WATERPROOF



DIMMABLE



## ▶ FEATURES

- 1% low-level flicker free dimming. Requires LightLink dimming module.
- Active Thermal Management monitors fixture case temperature and discreetly dims fixture upon signs of possible overheat.
- Down-angled asymmetric beam with washboard eliminates glare.
- Flexible mounting conditions: snap & screw mounts.
- Actively managed ANSI sub-binning to ensure accurate and consistent color matching for each fixture.

## ▶ PHYSICAL

- ADC12 aluminum alloy body & mil-spec powder-coated stainless steel trim bezel.
- Weight: 0.15lbs
- Protection Rating: IP67
- Warranty: 3 Years

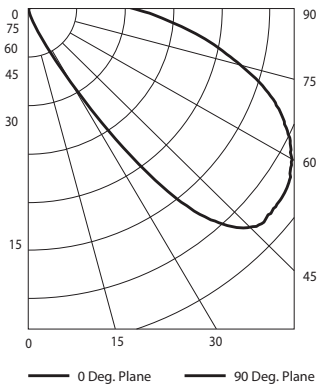
## ▶ ELECTRICAL SPECIFICATIONS

<b>Input Voltage</b>	24VDC
<b>Input Power</b>	1.5 Watts Typ
<b>LED Driver</b>	E05PW 75W
<b>Temperature</b>	-20°C to 40°C
<b>Dimming</b>	1% via 0 - 10 VDC (Use LL-205)
<b>Life</b>	60,000 hours to L70



## ▶ PERFORMANCE

POLAR PLOT **Asymmetric Beam Angle**



28.5 Delivered Lumens  
All results are according to **IESNA LM-79-2008**: Approved method for the electrical and photometric testing of solid-state lighting.

## ▶ ENGINE CODE BUILDER

Product	Color	Mounting
AT1S	-	-
AT1S	20K - 2000K	SP - Snap Mount
	22K - 2200K	SW - Screw Mount
	27K - 2700K	
	30K - 3000K	
	35K - 3500K	
	40K - 4000K	
	50K - 5000K	
	65K - 6500K	
	GRN - Green	
	BLU - Blue	
	RED - Red	
ABR - Amber		

## ▶ BEZEL CODE BUILDER

Product	Bezel Style	Finish
AT1S-BZL	-	-
AT1S-BZL	AC - Architectural Circle	PC - Polished Chrome
	AO - Architectural Oval	PG - Polished Gold
	AR - Architectural Rectangle	BN - Brushed Nickel
	AS - Architectural Square	BZ - Bronze
		MW - Matte White
		MB - Matte Black



# i2 | AT1S™

The AT1S™ is an IP67 miniature LED step light available with either snap-in or screw-mount installation. The asymmetric beam angle and wide lateral throw provide even illumination across step and path surfaces.



GLARE FREE



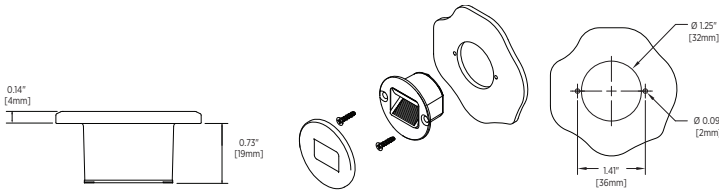
WATERPROOF



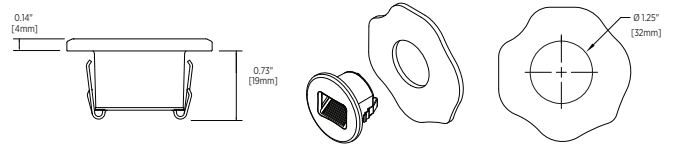
DIMMABLE

## ► MOUNTING OPTIONS

### Screw Mount:



### Snap Mount:



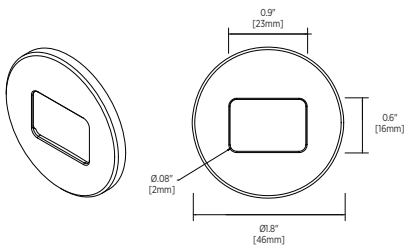
## ► BEZEL STYLES



Architectural bezels are machined stainless steel and come in multiple styles and finishes.

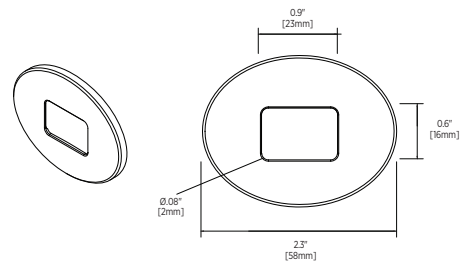
### ► CIRCLE BEZEL

\_\_\_AT-BZL-AC-XX



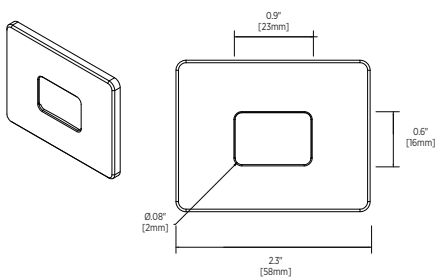
### ► OVAL BEZEL

\_\_\_AT-BZL-AO-XX



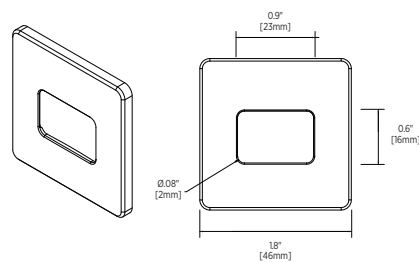
### ► RECTANGLE BEZEL

\_\_\_AT-BZL-AR-XX



### ► SQUARE BEZEL

\_\_\_AT-BZL-AS-XX





# AT1S™

The AT1S™ is an IP67 miniature LED step light available with either snap-in or screw-mount installation. The asymmetric beam angle and wide lateral throw provide even illumination across step and path surfaces.



GLARE FREE



WATERPROOF



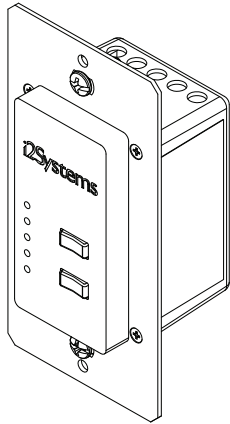
DIMMABLE

## ▶ DIMMING CONTROL

**LightLink:** \_\_\_LL-205-10V

**Indoor Dimming Cable:** \_\_\_685-01561-100

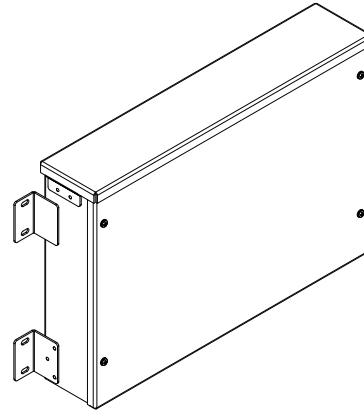
**Outdoor Dimming Cable:** \_\_\_685-02026-100



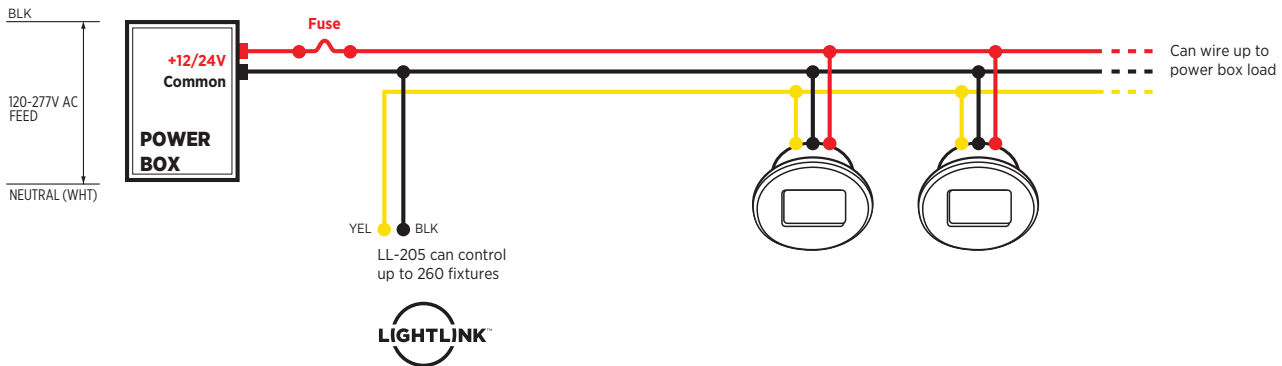
## ▶ POWER BOXES

**E05PW 75W:** \_\_\_PS24V75W

Compatible with 3rd party power supply. Contact factory.

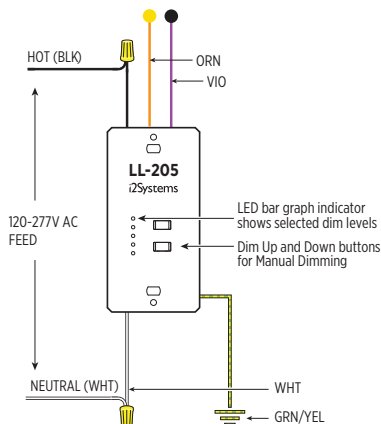


## ▶ AT1S WIRING DIAGRAM



**DIMMING OPERATION REQUIRES USE OF LL-205 DIMMING MODULE. CONNECT ORANGE TO YELLOW / VIOLET TO BLACK.**

### PUSH BUTTON DIMMING



### 0-10V DIMMING

