



AT1S™

The AT1S™ is an IP67 miniature LED step light available with either snap-in or screw-mount installation. The asymmetric beam angle and wide lateral throw provide even illumination across step and path surfaces.



GLARE FREE



WATERPROOF



DIMMABLE



▶ FEATURES

- 1% low-level flicker free dimming. Requires LightLink dimming module.
- Active Thermal Management monitors fixture case temperature and discreetly dims fixture upon signs of possible overheat.
- Down-angled asymmetric beam with washboard eliminates glare.
- Flexible mounting conditions: snap & screw mounts.
- Actively managed ANSI sub-binning to ensure accurate and consistent color matching for each fixture.

▶ PHYSICAL

- ADC12 aluminum alloy body & mil-spec powder-coated stainless steel trim bezel.
- Weight:
- Protection Rating: IP67
- Warranty: 3 Years

▶ ELECTRICAL SPECIFICATIONS

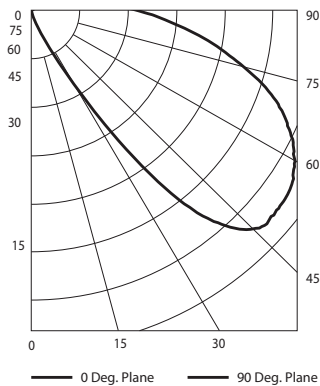
Input Voltage	9-30V DC or 9-15V AC
Input Power	1.5 Watts Typ, 2.5 Watts Max
LED Driver	E11
Temperature	-20°C to 40°C
Dimming	1% via 0 - 10 VDC (Use LL-205)
Life	60,000 hours to L70



AMERICAN DESIGNED & MANUFACTURED

▶ PERFORMANCE

POLAR PLOT **Asymmetric Beam Angle**



28.5 Delivered Lumens
All results are according to **IESNA LM-79-2008**: Approved method for the electrical and photometric testing of solid-state lighting.

▶ ENGINE CODE BUILDER

Product	Color	Mounting
AT-1W		
AT-1W	20K - 2000K	SP - Snap Mount
	22K - 2200K	SW - Screw Mount
	27K - 2700K	
	30K - 3000K	
	35K - 3500K	
	40K - 4000K	
	50K - 5000K	
	65K - 6500K	
	GRN - Green	
	BLU - Blue	
RED - Red		

▶ BEZEL CODE BUILDER

Product	Bezel Style	Finish
AT-BZL		
AT-BZL	AC - Architectural Circle	PC - Polished Chrome
	AO - Architectural Oval	PG - Polished Gold
	AR - Architectural Rectangle	BN - Brushed Nickel
	AS - Architectural Square	BZ - Bronze
		MW - Matte White
		MB - Matte Black



Integrated Illumination Systems, Inc.
355 Bantam Lake Road
Morris, CT 06763 USA

tel +1.860.567.0708
sales@i2systems.com

Product information is subject to change without notice.
All brand names and product names are trademarks of i2Systems.
© 2018 i2Systems. All Rights Reserved.

www.i2systems.com
RevD
Page 1 of 3

i2 | AT1S™

The AT1S™ is an IP67 miniature LED step light available with either snap-in or screw-mount installation. The asymmetric beam angle and wide lateral throw provide even illumination across step and path surfaces.



GLARE FREE



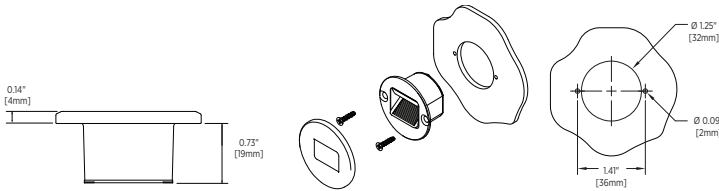
WATERPROOF



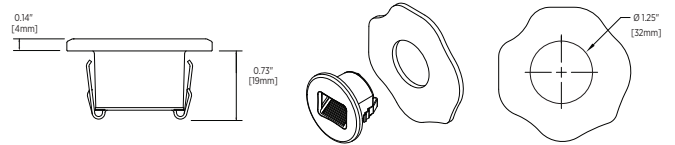
DIMMABLE

► MOUNTING OPTIONS

Screw Mount:



Snap Mount:



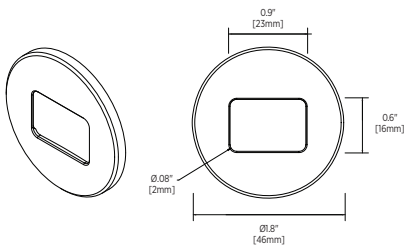
► BEZEL STYLES



Architectural bezels are machined stainless steel and come in multiple styles and finishes.

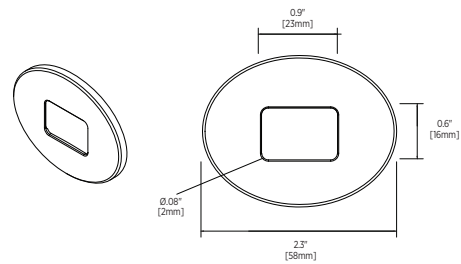
► CIRCLE BEZEL

___AT-BZL-AC-XX



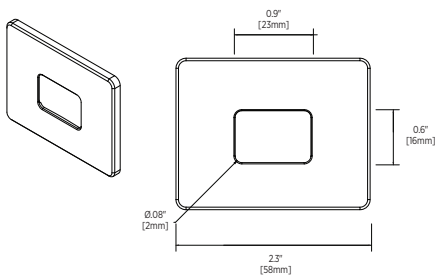
► OVAL BEZEL

___AT-BZL-AO-XX



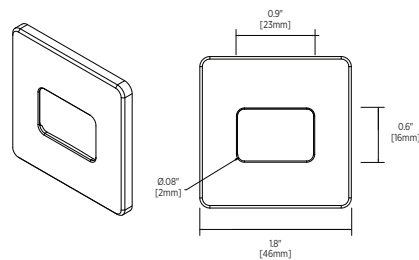
► RECTANGLE BEZEL

___AT-BZL-AR-XX



► SQUARE BEZEL

___AT-BZL-AS-XX





AT1S™

The AT1S™ is an IP67 miniature LED step light available with either snap-in or screw-mount installation. The asymmetric beam angle and wide lateral throw provide even illumination across step and path surfaces.



GLARE FREE



WATERPROOF



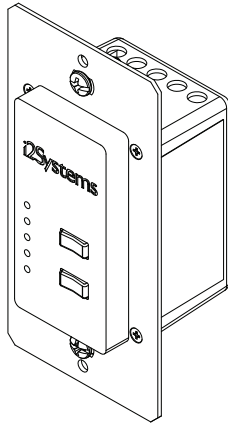
DIMMABLE

▶ DIMMING CONTROL

LightLink: ___LL-205-10V

Indoor Dimming Cable: ___685-01561-100

Outdoor Dimming Cable: ___685-02026-100

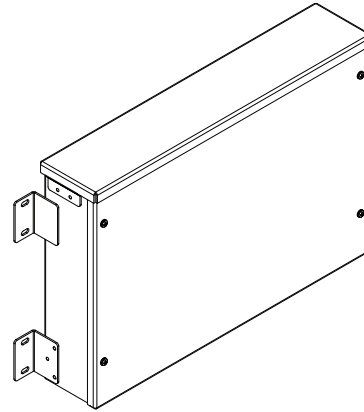


▶ POWER BOXES

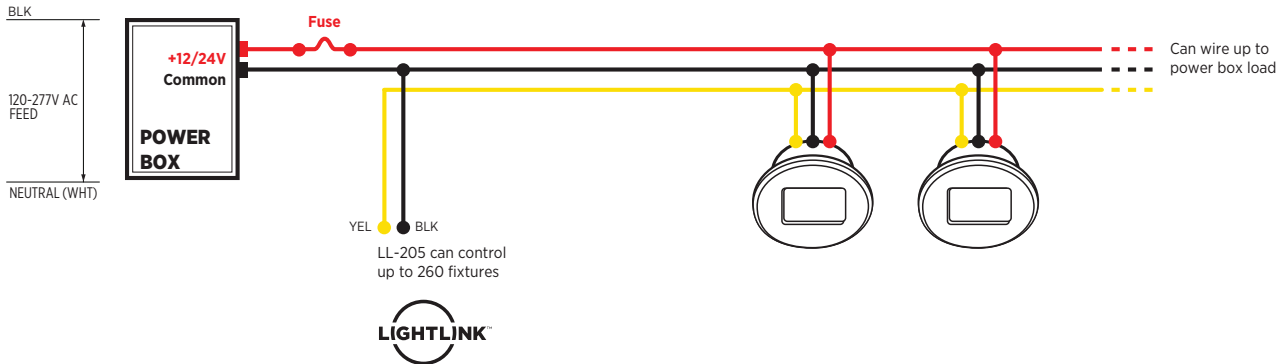
E05PW 75W: ___PS24V75W

E10PW 280W: ___PS30V280W

E10PW 560W*: ___PS30V560**dual output

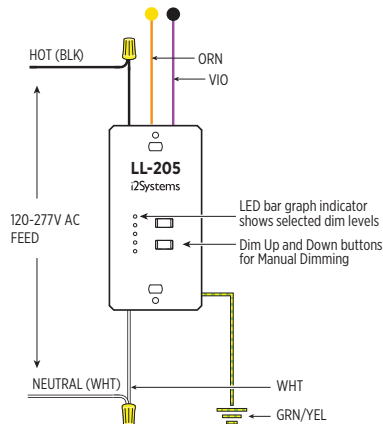


▶ AT1S WIRING DIAGRAM



DIMMING OPERATION REQUIRES USE OF LL-205 DIMMING MODULE. CONNECT ORANGE TO YELLOW / VIOLET TO BLACK.

PUSH BUTTON DIMMING



0-10V DIMMING

