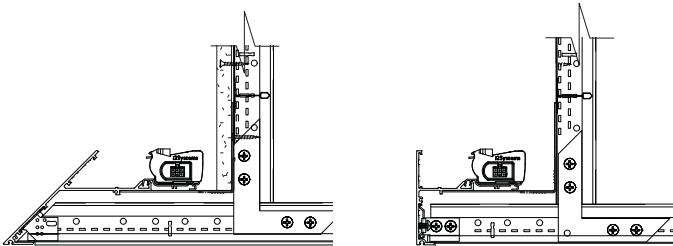


## Compose ACT

### Installation Instructions

Designed for Armstrong's AXIOM Indirect Light Coves & Indirect Field Light Coves **ONLY**



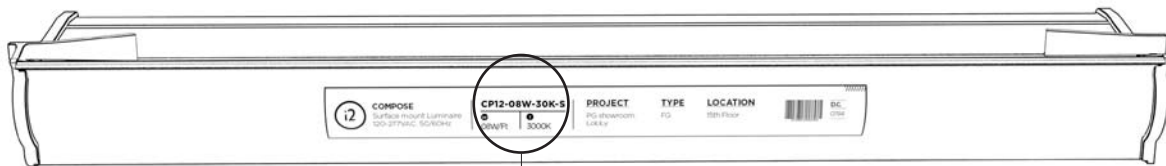
Scan this code to download the Armstrong AXIOM installation guide.





## WARNING

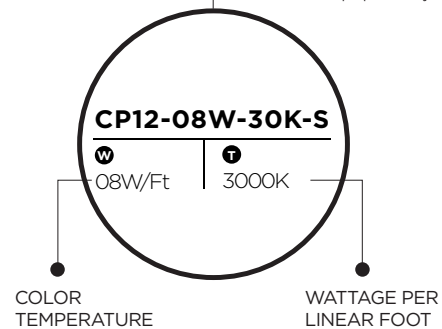
- Installation wall must have continuous blocking behind drywall for the entire length of the extruded cove.
- Wall for installation should be +/- 1/16" true plumb across 48" of the planar surface.
- For installations using a corner, the corner MUST be installed before the straight sections. Work away from the corners and field cut straight sections as needed.
- A right angle power entry cable is required when any row of lights is interrupted by a power entry.
- Ensure that main power is off prior to installing or wiring a LED module.
- Risk of fire or electric shock. System must be installed by a qualified electrician according to local and national codes.
- Do not expose wiring to edges of sheet metal or other sharp objects.
- LED module is not field serviceable.
- Connect to a properly grounded branch circuit protected by a circuit breaker or fuse.
- This LED module requires temperature conditions within the range of **-20°C (Min) and 50°C (Max)**
- Avoid making live connections, also known as hot swapping.
- For use on systems with voltages greater than the maximum rated voltage, use a safety agency approved, step-down transformer to convert the higher voltage to a voltage within the specified operating range of the LED module.
- Power input cable provided by i2Systems is 10' long, therefore, the junction box (supplied by others) must be installed within 10' feet of the first light.



For illustration purposes only.

Use the chart below to calculate maximum run length from single power feed. Add power feed as needed.

Input Voltage	5W Max. Run Allowable	8W Max. Run Allowable	10W Max. Run Allowable	12W Max. Run Allowable
120 VAC	100 ft	60 ft	50 ft	40 ft
208VAC	100 ft	100 ft	80 ft	70 ft
240VAC	100 ft	100 ft	100 ft	80 ft
277 VAC	100 ft	100 ft	100 ft	90 ft



## CAUTION

Exceeding the input voltage or acceptable LED module run lengths will result in damage to the LED module and may pose a serious safety hazard.



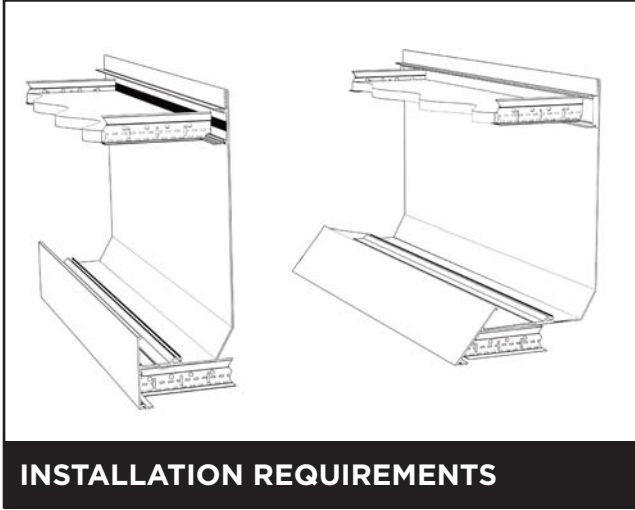
### APPLICATION

This is a dry location product only. Do not place in wet or exterior applications.



### CUSTOMER SUPPORT

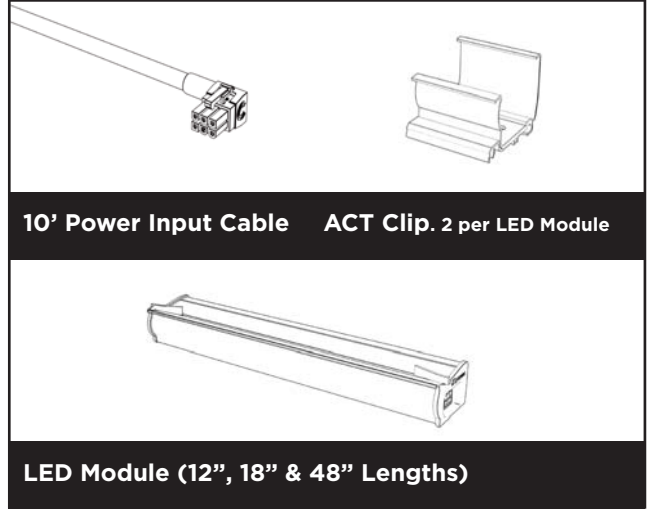
For Technical Support, contact us between 8 a.m. and 5 p.m. EST by phone at **1.860.567.0708** or email at [support@i2systems.com](mailto:support@i2systems.com).



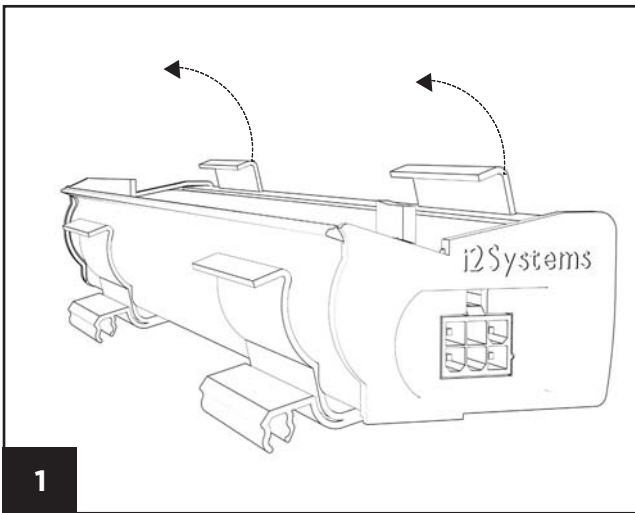
Ensure that the proper Armstrong AXIOM™ indirect & indirect field light covers extrusions are installed by an authorized installer.

AXIOM extrusion profiles are offered in standard heights.

**Follow the layout of the shop drawings provided.**

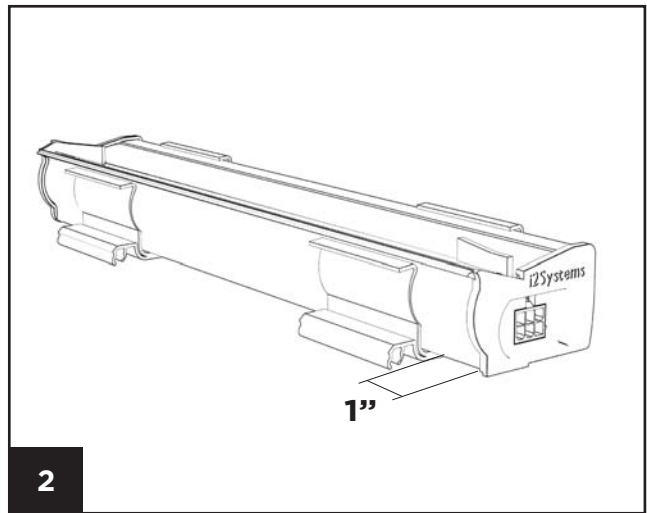


Required components.



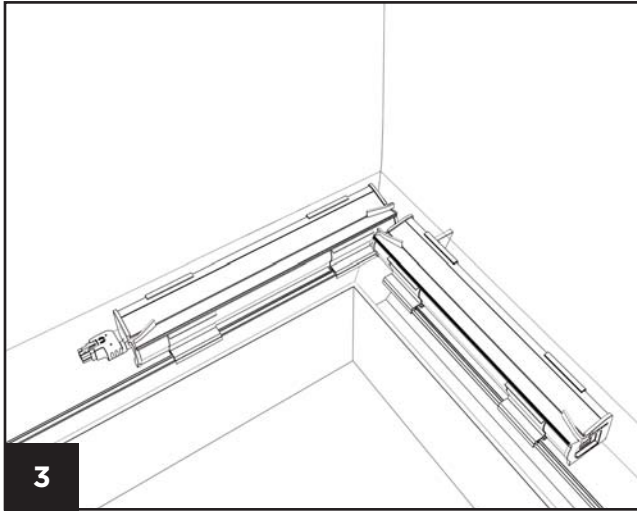
Two ACT clips are required per module for each 12", 18" & 48" LED modules.

Clips must completely enclose the LED module as shown.

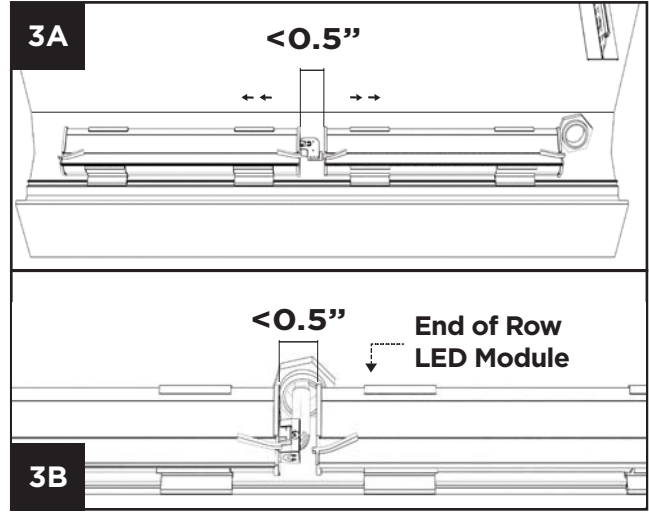


ACT clips are recommended to snap onto LED module 1" from the end caps.

FOLLOW SHOP DRAWINGS (IF PROVIDED) TO ENSURE GAPS DO NOT EXCEED 0.5"

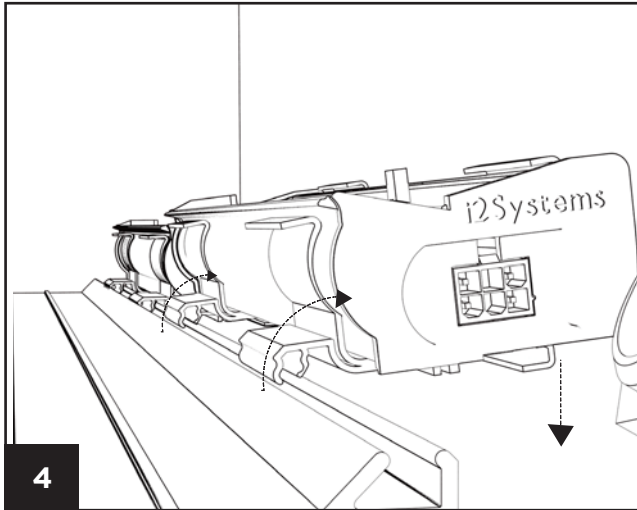


Once all LED modules are snapped into ACT clips, place them on the AXIOM channel. For ease of installation, **DO NOT snap the LED modules to AXIOM extrusion until placement and spacing of all LED modules are properly defined.**



**3A** Connect the first LED module in the run to the next. Repeat process until all LED modules are connected.

**3B** Use an End of Row LED module for runs that require more than one power input cable and at the end of the last run.



When spacing and placement of ALL LED modules are defined, begin to snap the LED modules into the AXIOM extrusion channel as shown and **plug power input cable into first LED module.**

