

AT1S™

Installation Instructions



AT1S™

The AT1S™ is an IP67 miniature LED step light available with either snap-in or screw-mount installation. The asymmetric beam angle and wide lateral throw provide even illumination across step and path surfaces.



GLARE FREE



WATERPROOF



DIMMABLE

*Due to constant power design, input current (lin) will vary depending on input voltage. Be sure to size wire awg accordingly for worst case input voltage.

**Product is rated for exterior applications, however it is not rated for submersible applications and should not be mounted in conditions where there is, or is a possibility of, standing water. When installing in wet or damp locations, it is good practice to seal all fixtures and junction boxes with electronics grade RTV silicone sealant to ensure that moisture cannot enter or accumulate in wiring compartments, cables, or other electrical parts. Product should not be installed in extreme locations, including but not limited to those outside of its temperature/humidity ratings and/or applications where product is subject to water runoff or downspouts.

ELECTRICAL

- When installing or servicing the fixtures, be sure to disconnect the circuit prior to beginning work. Wear proper safety equipment and follow appropriate safety precautions.
- Connect to a properly grounded branch circuit protected by a circuit breaker or fuse. Never wire the fixtures directly to a battery or unprotected power source.
- Always use i2Systems and/or i2Systems-recommended electrical components.
- Never exceed the maximum voltage ratings. Failure to comply will damage the fixture.
- For use on systems with voltages greater than the maximum rated voltage, use a safety agency approved, step-down power supply to convert the higher voltage to a voltage within the specified operating range of the fixture.
- Wiring must be rated for +105°C or higher.
- Minimum wire size is 0.82mm² (18 awg).
- Use lighting fixture with only UL Class 2 Power Supply.

FCC NOTICE

This hardware device complies with Part 15 of the FCC Rules.

Operation is subject to the following two conditions:

- 1) this device may not cause harmful interference, and
- 2) this device must accept any interference received, including interference that may cause undesired operation.

This equipment has been tested and found to comply with the limits for a Class A device, pursuant to Part 15 of the FCC Rules. These limits are designed to provide reasonable protection against harmful interference in a residential or commercial installation. However, there is no guarantee that interference will not occur in a particular installation. This equipment generates, uses, and can radiate radio frequency energy and, if not installed or used in accordance with the instructions, may cause harmful interference to radio communications. If this equipment does cause harmful interference to radio or television reception, which can be determined by turning the equipment off and on, the user is encouraged to try to correct the interference by one or more of the following measures:

- 1) reorient or relocate the receiving antenna;
- 2) increase the separation between the equipment and the receiver;
- 3) connect the equipment to an outlet on a circuit different from that to which the receiver is connected;
- 4) consult the dealer or an experienced radio/TV technician for help.

Any changes or modifications not expressly approved by the party responsible for compliance could void the user's authority to operate the equipment. Where shielded interface cables have been provided with the product or specified accessories elsewhere defined to be used with the installation of the product, they must be used in order to ensure compliance with FCC regulations.

INSTALLATION / THERMALS

- Once installed, monitor the fixture case temperature. The fixture case temperature should not exceed 50°C at worst case ambient. Should the case temperature exceed the max rating of 50°C, do one or more of the following: reduce the power to the light fixture, reduce the ambient temperature, heatsink the fixture, increase the airflow or volume of air around the fixture, or remove the fixture and install a lower power fixture.
- Do not submerge the light fixture in any liquid. Do not install the light fixture where it will sit in any liquid or where liquid will collect, pool or puddle.
- Depending on the product configuration, products are recognized as Class 1 or Class 2 LED products. Be sure to wear proper eye protection when required.
- It is recommended that the light fixture remain in its original container until it is ready to be installed.
- Conductors of Low Voltage Lighting Systems concealed or extended through a wall, floor, or ceiling shall be installed using any of the wiring methods specified in NEC (National Electrical Code) Article 411.4 Chapter 3 (conduit) OR shall be installed in accordance with NEC Article 725.130.



WARNING





AT1S™

The AT1S™ is an IP67 miniature LED step light available with either snap-in or screw-mount installation. The asymmetric beam angle and wide lateral throw provide even illumination across step and path surfaces.



GLARE FREE



WATERPROOF



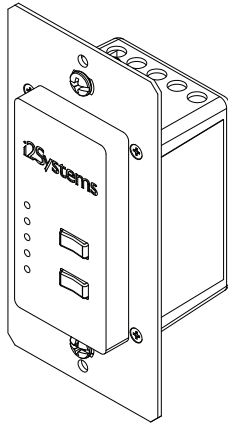
DIMMABLE

▶ DIMMING CONTROL

LightLink: ___LL-205-10V

Indoor Dimming Cable: ___685-01561-100

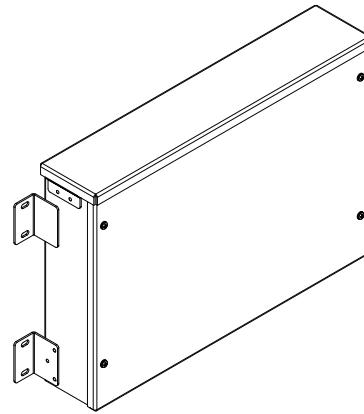
Outdoor Dimming Cable: ___685-02026-100



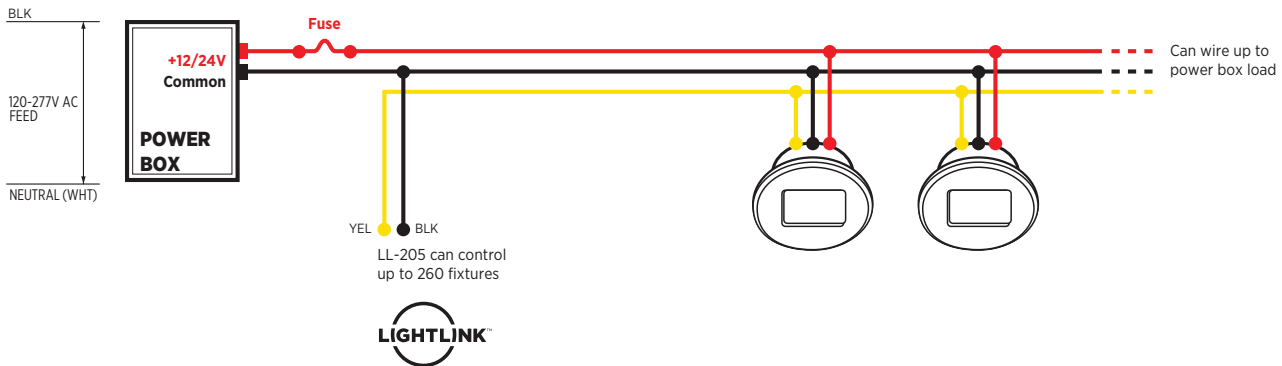
▶ POWER BOXES

E05PW 75W: ___PS24V75W

Compatible with 3rd party power supply. Contact factory.

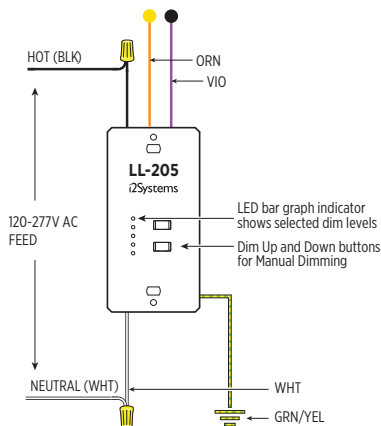


▶ AT1S WIRING DIAGRAM

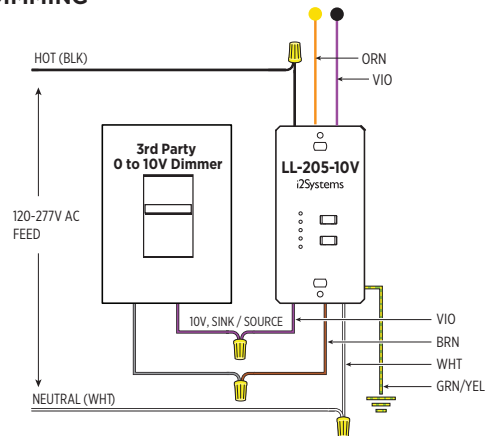


DIMMING OPERATION REQUIRES USE OF LL-205 DIMMING MODULE. CONNECT ORANGE TO YELLOW / VIOLET TO BLACK.

PUSH BUTTON DIMMING



0-10V DIMMING



i2 | AT1S™

The AT1S™ is an IP67 miniature LED step light available with either snap-in or screw-mount installation. The asymmetric beam angle and wide lateral throw provide even illumination across step and path surfaces.



GLARE FREE



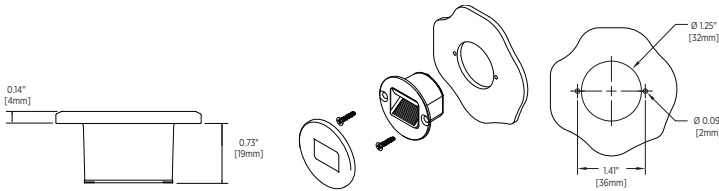
WATERPROOF



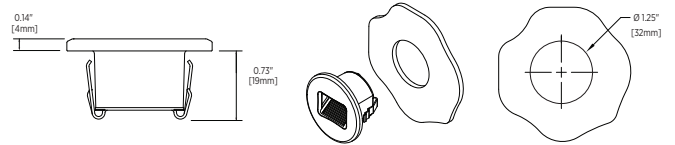
DIMMABLE

► MOUNTING OPTIONS

Screw Mount:



Snap Mount:

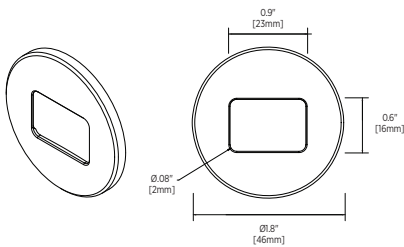


► BEZEL STYLES

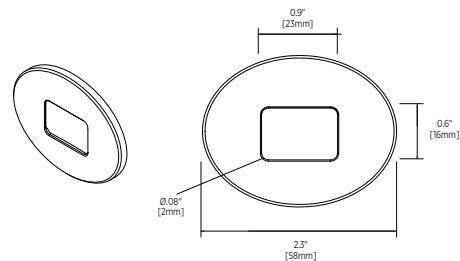


Architectural bezels are machined stainless steel and come in multiple styles and finishes.

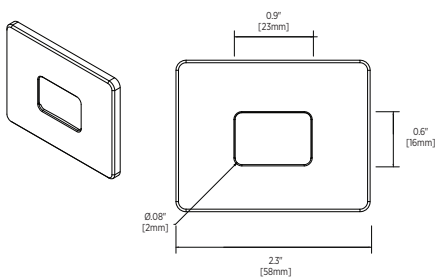
► CIRCLE BEZEL



► OVAL BEZEL



► RECTANGLE BEZEL



► SQUARE BEZEL

