



E05 Power Supply

Power Supply Enclosure w/ Terminal Block Hookup

FEATURES

- Universal AC Input (up to 277V AC)
- 75 Watt, 24V DC Output
- Powder-Coated Stainless Steel Enclosure
- Molded Input Power Cable for 120V Installations
- Cooling by Free Air Convection

MODELS

- 75 Watts

ENVIRONMENT

- Dry
- Damp

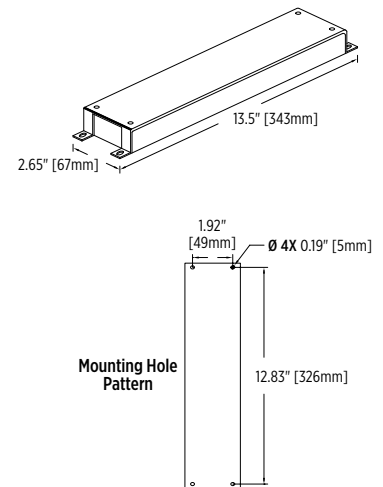
ELECTRICAL SPECIFICATIONS

MODEL	PS24V75W-E05
Continuous Output Power ¹	75 Watts
Maximum Output Power	100 Watts
Output Voltage	24V DC, Constant Voltage
Output Current	4.16A
Input Voltage	100-277V AC
Input Frequency	50/60 Hz
Input Current	1A/120V AC
Power Factor (Typ.)	>0.9
Operating Temp. Range ²	-30° to 50°C
Environment	Dry, Damp
Certification	cULus (US & Canada)

¹ Specified wattage is derated and is the maximum recommended load under normal operating conditions. Provided the Power Supply Enclosure is operated within the specified operating temperature range, additional derating is not required.

² Operating Temp. Range is contingent on the Power Supply Enclosure being installed in free air.

MECHANICAL SPECIFICATIONS



WIRING / SETUP

■ AC MOLDED CABLE

For simple Plug and Play operation

■ UL POWER SUPPLY

■ 24V DC WIRE HOOKUP

- Red (Positive)
- Blue (Negative)

