

LED Swivel Reading Light
for Marine & Transit



Transit T3311

LED Swivel Reading Light for Marine & Transit

PRODUCT HIGHLIGHTS

- 2 Watts
- 9-30V DC Input
- Optional Integrated Switch
- Machined Aluminum Housing
- 6° or 22° Beam Angle
- Polycarbonate Protective Window

TYPICAL APPLICATIONS

- Marine Lighting
- Rail Lighting

SPECIFICATIONS

SUITABLE ENVIRONMENTS



Dry Damp

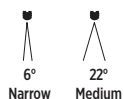
LED COLORS

- Cool White
- Neutral White
- Warm White

BEZEL FINISH

- Clear Anodized

BEAM ANGLE



6° Narrow 22° Medium

CERTIFICATIONS



Features

■ SURFACE MOUNT

Surface mount via 3 screws for simple installation.

■ INTEGRATED SWITCH

Optional switch for simple on/off operation.

■ ADJUSTABLE BALL JOINT

Fully adjustable ball joint design offers fluid motion and maximum adjustment.

■ SMARTDRIVER INTEGRATED

i2Systems SmartDriver technology is integrated directly inside of every fixture. Connect the T3311 to a wide range of voltages without sacrificing light output or lifetime. No external drivers are required and wiring is made simple.

■ ADVANCED OPTICAL SYSTEM

6° and 22° beam angle options ensure high efficiency, optimal coverage, and sharp cutoff. Meets APTA requirements and minimizes light spillover into adjacent passenger seating.

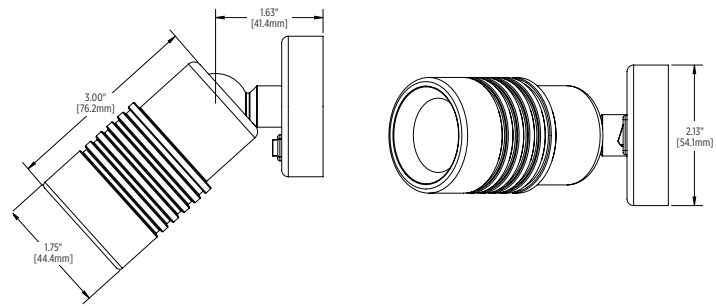


SPECIFICATIONS

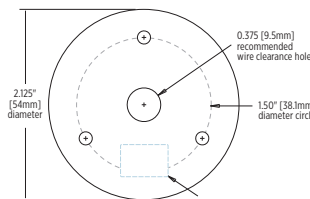
ITEM	PARAMETER	VALUE
Electrical	Input Power	2 Watts*
	Input Voltage Range	9-30V DC
	Integrated Driver	✓
	Protection Features	Transient Protection, Reverse Polarity, Autoreset Fuse
Optical	Emitting Angle	22° Angle
	LED Color	Cool White, Neutral White, Warm White
	LED Colors per Fixture	1
	Class	Class 2 LED Product
Physical	Dimensions	Refer to drawings on right
	Housing Construction	Aluminum
	Lens Material	Polycarbonate
	Finishes	Clear Anodized
	Mounting Method	Screw Mount Surface
	Operating Temp. Range	-20°C to 40°C, Max. Case Temp (Tc): 50°C
	Humidity	0 to 95%, non-condensing
	Environment	Dry, Damp
	Certification	RoHS Compliant

*Due to constant power design, input current (Iin) will vary depending on input voltage. Be sure to size wire awg accordingly for worst case input voltage.

DIMENSIONS

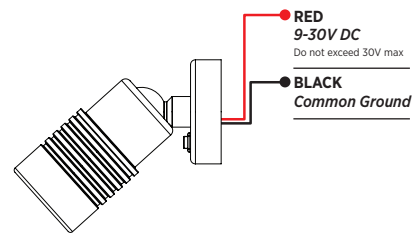


MOUNTING



NOTE: #6 [3.5mm] flat head or oval head screws are recommended for installation.

WIRE FUNCTION



ORDERING NUMBER

FACTORY NUMBER

EXAMPLE: **T3311Z-11MCAB**

USER SELECTED OPTION

Clear Anodized Finish, Medium Beam Angle, Warm White LED, with On/Off Switch

T3311Z	-	*	*	*	*	XXX
Product Type	Switch	Finish	Beam Angle	LED Color	Color Bin Code	
	0= No Switch 1= On/Off Switch	1 Clear Anodized	N= Narrow M= Medium	A Cool White B Neutral White C Warm White		

INSTALLATION EXAMPLES

