

LED Recessed Light for Elevator Cab Illumination + Dimming



Apeiron A1161

LED Recessed Light for Elevator Cab Illumination + Dimming

PRODUCT HIGHLIGHTS

- 5 Watts
- 9-30V DC Input
- 0 to 100% Dimming
- Active Thermal Management
- 2 Meter Cable for Easy Install
- 3" Diameter
- Stainless Steel Construction

TYPICAL APPLICATIONS

- Elevator Cab Lighting

SPECIFICATIONS

SUITABLE ENVIRONMENTS



Dry Damp

LED COLORS

- Cool White
- Neutral White
- Warm White

BEZEL FINISHES

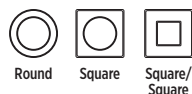
PVD Coated:

- Polished Chrome
- Polished Gold
- Brushed Nickel

Powder Coated:

- White
- Off-White
- Black

BEZEL SHAPES



Round Square Square/Square

BEAM ANGLES

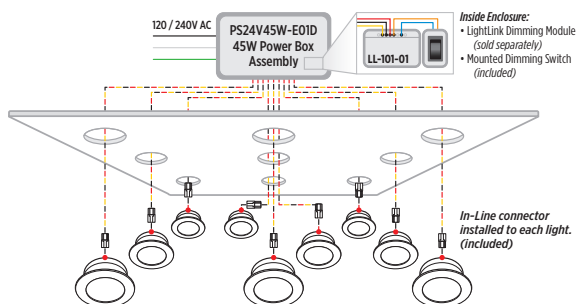


120° Full Angle

CERTIFICATIONS



Elevator Ceiling Example



Features

■ 2 METER CABLE & IN-LINE CONNECTOR

A1161 fixtures are configured with a 2 meter cable with in-line connector (not shown) for simple installation straight back to the Power Box, eliminating the need to install a wire harness into the cab ceiling.



■ SMARTDRIVER INTEGRATED

i2Systems SmartDriver technology is integrated directly inside the fixture. One light may be used for both general lighting and, when paired with i2Systems E06E Power Box, on the battery-backup circuit.

■ 0 TO 100% DIGITAL DIMMING

Connection with i2Systems LightLink Dimmers allows simple dimming control in order to optimize lighting effects and trim intensity levels. With built-in memory, i2Systems LightLink dimmer remembers last intensity, even with power outages.

■ ACTIVE THERMAL MANAGEMENT

The A1161 fixture will dim upon overheating, protecting the LEDs and your investment.

■ ADVANCED OPTICAL SYSTEM

Even light, with no LED "dots" or pixilation, provides the halogen look without the intense heat and high power load.

■ BEAUTIFUL WARM WHITE

In addition to Cool (6500K) and Neutral (4100K) LED colors, the A1161 is available in 2800K Warm White, offering beautiful illumination and good color rendering ready to complement any cab interior.

■ SIMPLE SPRING-CLIP MOUNTING

Spring-clip mounting offers simple installation from the inside of the cab while ensuring a secure fit when installed in elevator ceilings ranging from .04" to .75" thick. With high spring tension, a difficult-to-grab bezel, and no removable "LED Bulb", vandals are discouraged and installation is simple.

■ STAINLESS STEEL TRIM, WITH PVD COATING

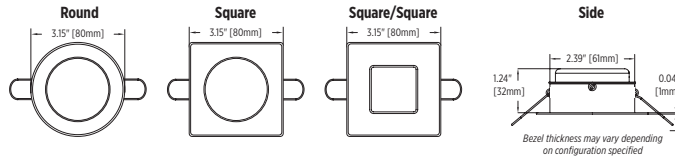
Round, square or square/square, six finish options. Physical Vapor Deposition (PVD) coating provides a very durable surface finish which will not tarnish or discolor.

SPECIFICATIONS

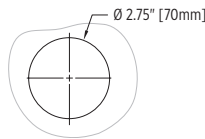
ITEM	PARAMETER	VALUE
Electrical	Input Power	5 Watts*
	Input Voltage Range	9-30V DC
	Integrated Driver	✓
	0-100% Dimming	✓
	Protection Features	Active Thermal Management, Transient Protection, Reverse Polarity, Autoreset Fuse
Optical	Emitting Angle	120° Full Angle
	LED Color	Cool White, Neutral White, Warm White
	LED Colors per Fixture	1
	Class	Class 2 LED Product
	Physical	Dimensions
Housing Construction		Aluminum, Stainless Steel
Lens Material		Tempered Glass, Frosted
Bezel Shapes		Round, Square, Square/Square
Finishes		PVD Coated: Polished Chrome, Polished Gold, Brushed Nickel Powder Coated: White, Off-White, Black
Mounting Method		Spring Clips, Stainless Steel
Operating Temp. Range		-20°C to 40°C, Max. Case Temp (Tc): 50°C
Humidity		0 to 95%, non-condensing
Environment		Dry, Damp
Certification		CE, FCC Part 15, cULus (US & Canada), RoHS Compliant

*Due to constant power design, input current (Iin) will vary depending on input voltage. Be sure to size wire awg accordingly for worst case input voltage.

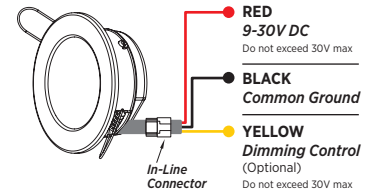
DIMENSIONS



MOUNTING

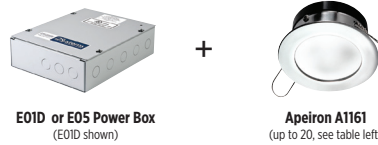


WIRE FUNCTION



BUILDING AN LED DOWNLIGHT SYSTEM

Baseline System



Baseline System with Dimming



Battery Backup System with Dimming



ACCESSORIES

KEYWORD	ITEM NUMBER	DESCRIPTION	FIXTURE MAX
Trim Ring Extender	3120177-11 (Chrome)	Extends round bezel diameter to 3.75" for retrofit applications requiring a larger bezel.	
	3120177-21 (Gold)		
	3120177-31 (White)		
	3120177-41 (Nickel)		
	3120177-51 (Off-White)		
LightLink LL-101-01	LL-101-01 Series	Dimming Controller, Momentary (MOM) Switch Interface.	Dims up to 20 Apeiron A1161
LightLink LL-101-04	LL-101-04 Series	Controller for Battery Management. Required when using a Power Box w/ Battery Backup.	Dims up to 20 Apeiron A1161
E01D Power Box, 45W	PS24V45W-E01D	Power Box, 45W, 120/240VAC Input, 24VDC Output, Steel Enclosure w/ Knockouts and Terminal Blocks.	Powers up to 9 Apeiron A1161
E01D Power Box, 75W	PS24V75W-E01D	Power Box, 75W, 120/240VAC input, 24VDC Output, Steel Enclosure w/ Knockouts and Terminal Blocks.	Powers up to 15 Apeiron A1161
E01D Power Box, 120W	PS24V120W-E01D	Power Box, 120W, 120/240/277VAC Input, 24VDC Output, Steel Enclosure w/ Knockouts and Terminal Blocks.	Powers up to 20 Apeiron A1161
E06E Power Box w/ Battery Backup, 45W	PS24V45W-E06E	Battery Backup Power Box, 45W, 120/240VAC Input, 24VDC Output, Steel Enclosure w/ Knockouts and Terminal Blocks.	Powers up to 9 Apeiron A1161
E06E Power Box w/ Battery Backup, 75W	PS24V75W-E06E	Battery Backup Power Box, 75W, 120/240VAC Input, 24VDC Output, Steel Enclosure w/ Knockouts and Terminal Blocks.	Powers up to 15 Apeiron A1161
E06E Power Box w/ Battery Backup, 120W	PS24V120W-E06E	Battery Backup Power Box, 120W, 120/240/277VAC Input, 24VDC Output, Steel Enclosure w/ Knockouts and Terminal Blocks.	Powers up to 20 Apeiron A1161
E05 Power Box, 75W	PS24V75W-E05	Power Box, 75W, 120/240/277VAC Input, 24VDC Output, Steel Enclosure.	Powers up to 15 Apeiron A1161

ORDERING NUMBER

FACTORY NUMBER EXAMPLE: **A1161Z-11B01L**
 USER SELECTED OPTION Polished Chrome Finish, Round Bezel, Neutral White LED

A1161Z - * * * **XXX**

Product Type **Bezel Finish** **Bezel Shape** **LED Color** **Color Bin Code**

PVD Coated:
 1 Polished Chrome 1 Round A Cool White
 2 Polished Gold 2 Square B Neutral White
 4 Brushed Nickel 4 Square/Square C Warm White

Powder Coated:
 3 White
 5 Off-White
 6 Black